

FORTEVER®



浙江合和机电有限公司

地址: 浙江省诸暨市枫桥镇新泽湖择树下1150号

电话: 0575-87181065

传真: 0575-87181066

邮箱: fortever@fortever.com.cn

www.fortever.com

www.fortever.com.cn

ZHEJIANG HEHE ELECTRIC MACHINERY CO.,LTD.

Add: No.1150,zeshuxia,xinzehu,fengqiao,zhuji city,zhejiang,china

Tel: 0086-575-87181065

Fax: 0086-575-87181066

E-mail:fortever@fortever.com.cn

www.fortever.com

www.fortever.com.cn

HALO-X 零件图册

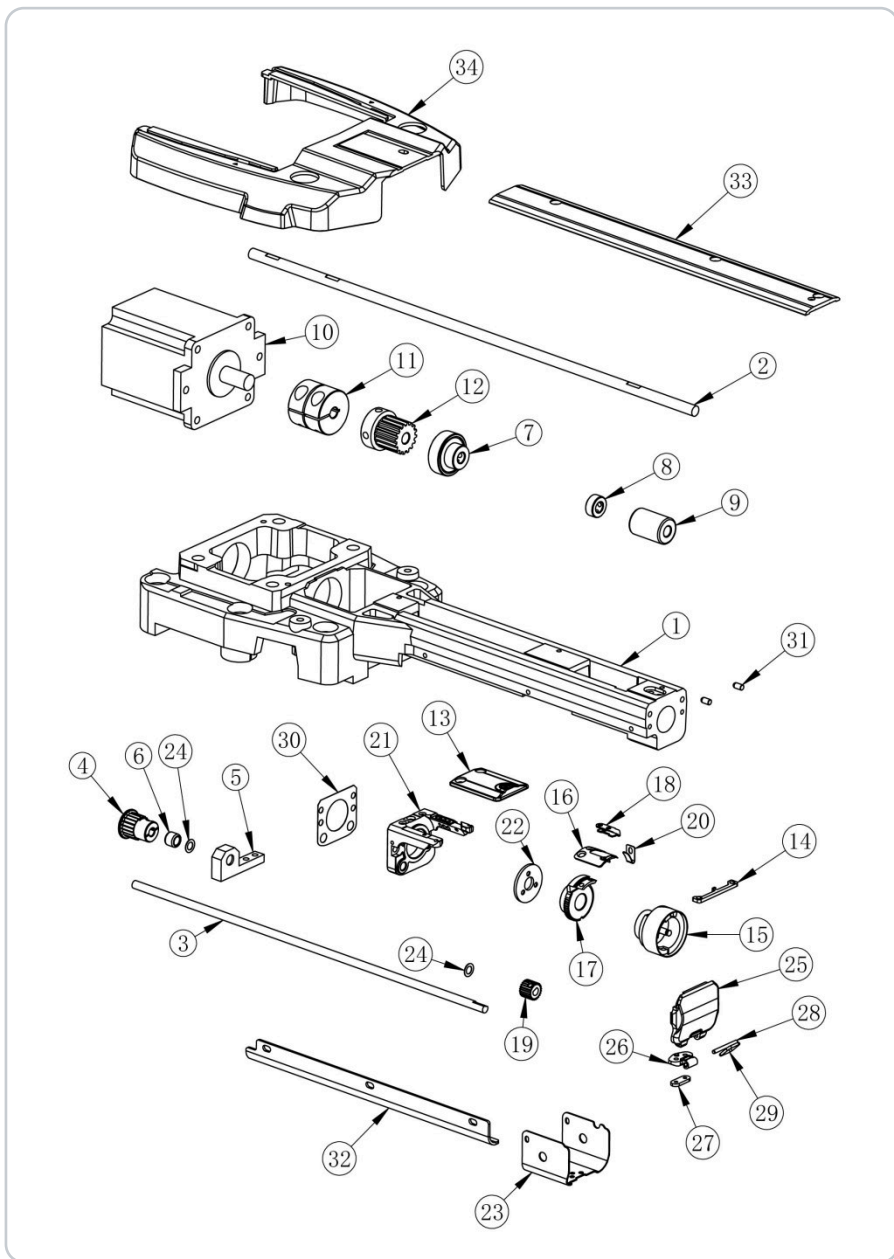
Spare parts Book

CONTENTS

目录

01 Rotary Hook Base 梭床	01	08 Thread Stand 线架	19
02 Machine Base 底座	03	09 Machine Cover 机器罩盖	21
03 Arm 机头臂	05	10 Color Change Parts 换色	23
04 X Axis Guide Rail X向导轨	07	11 Thread Tension Base 夹线器	25
05 Y Axis Guide Rail Y向导轨	09	12 Stand 底架	27
06-1 Jump Motor 机头跳跃 勾线 面夹	11	13 Embroidery Frame 花架	28
06-2 Needle Bar Driving Cam Set 针杆驱动 挑线驱动	13	14 Cap Stand Frame 帽绣组件	29
07-1 Needle Bar Take Up Lever 针杆架	15	15 Cap Frame Parts 帽座组件	31
07-2 Head Cover Thread Lock 面盖、中下过线	17		

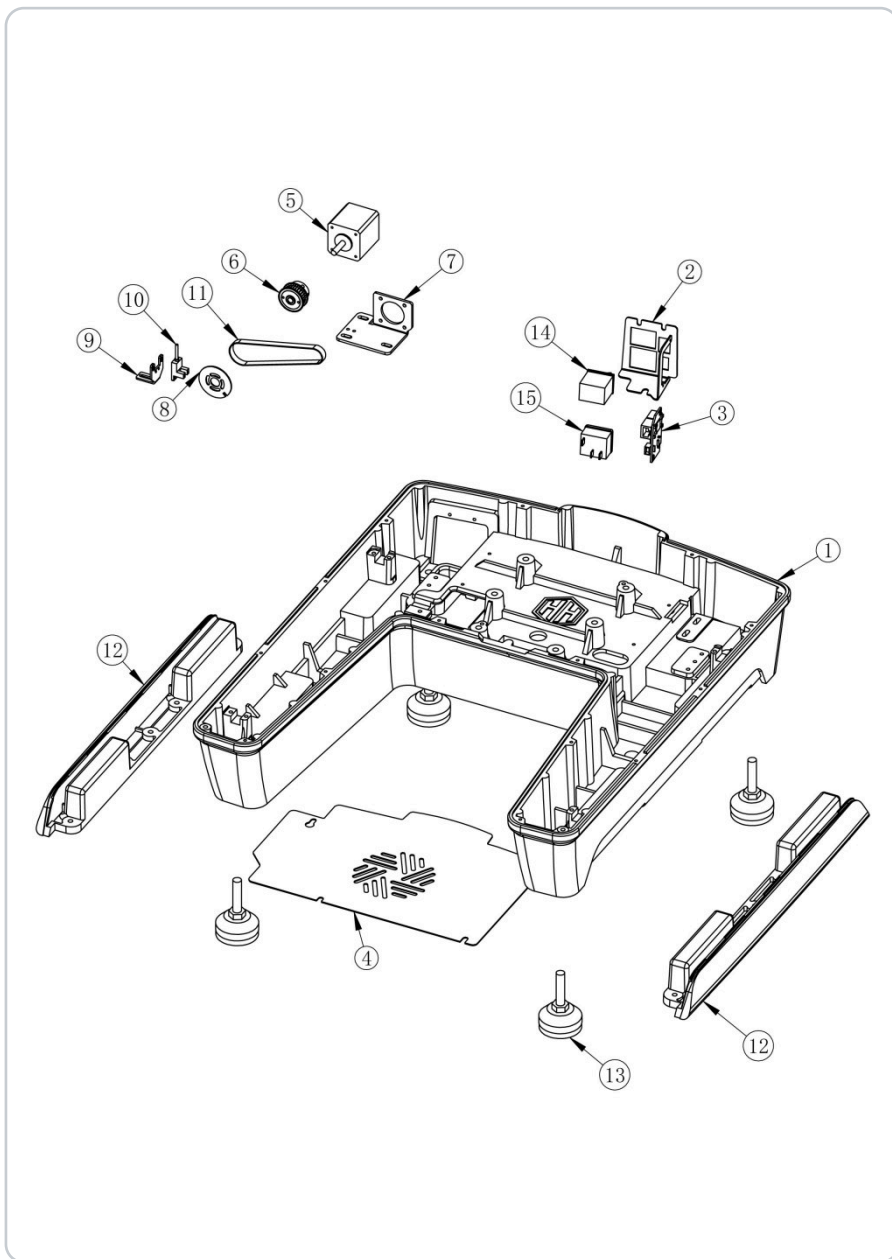
01 Rotary Hook Base 梭床



Rotary Hook Base 梭床

No.	Chinese Description	Description	Part No.	Qty
1	梭箱-10针机	Rotary Hook Base	110030033	1
2	旋梭轴 -10针机	Rotary Hook Shaft	110030034	1
3	圆刀剪线轴D6 - 家用机	Cutting Shaft	110030029	1
4	圆刀同步轮 (小)	Pulley	105030059	1
5	轴承座-家用机圆刀轴	Bearing Base	110030028	1
6	滚针轴承HK0608	Bearing HK0608	20207005	1
7	联体轴承6201	Bearing	202150016	1
8	两眼挡圈	Collar	105030010	1
9	旋梭粉末套	Bushing	105030011	1
10	马头主电机	Motor	206070003	1
11	联轴器D12d7.94	Collar	105030018	1
12	马头主轴皮带轮 (小) d12	Timing Pulley	105010084	1
13	针板 - 平车剪	Needle Plate	110030008	1
14	旋梭定位钩 - 家用机	Rotary Position Hook	110030010	1
15	旋梭	Hook	211030001	1
16	圆动刀S02646	Moveable Knife	105030052	1
17	动刀架-圆刀	Moveable Knife Base	105030055	1
18	圆定刀	Fixed Knife	105030053	1
19	齿轮24Tm0.5d6H10	Gear	105030061	1
20	分线片-圆刀	Fixed Knife Shrapnel	105030054	1
21	针板座-圆刀	Needle Plate Base	105030056	1
22	背板-刀座	Back Plate	105030058	1
23	下铁盖-圆刀座	Cover	105030062	1
24	薄垫片D10d6T0.2	Washer		2
25	旋梭塑料护罩-圆刀座	Cover	105030063	1
26	嵌打塑料块	Shaft Base	105030064	1
27	下铁罩螺纹板	Screw Plate	105030065	1
28	塑料罩转轴d2.5	Shaft	105030066	1
29	橡胶圈-外径14线径2	Seal Ring	105030067	1
30	刀座铜垫片-圆刀	Washer	105030057	1
31	定位销D4L8	Pin d4		2
32	剪刀轴盖板-10针机	Shaft Side Cover	110030035	1
33	弧形梭床中盖板-10针机	Cover	110030037	1
34	梭床上罩盖-10针机	Bed Cover	110260027	1

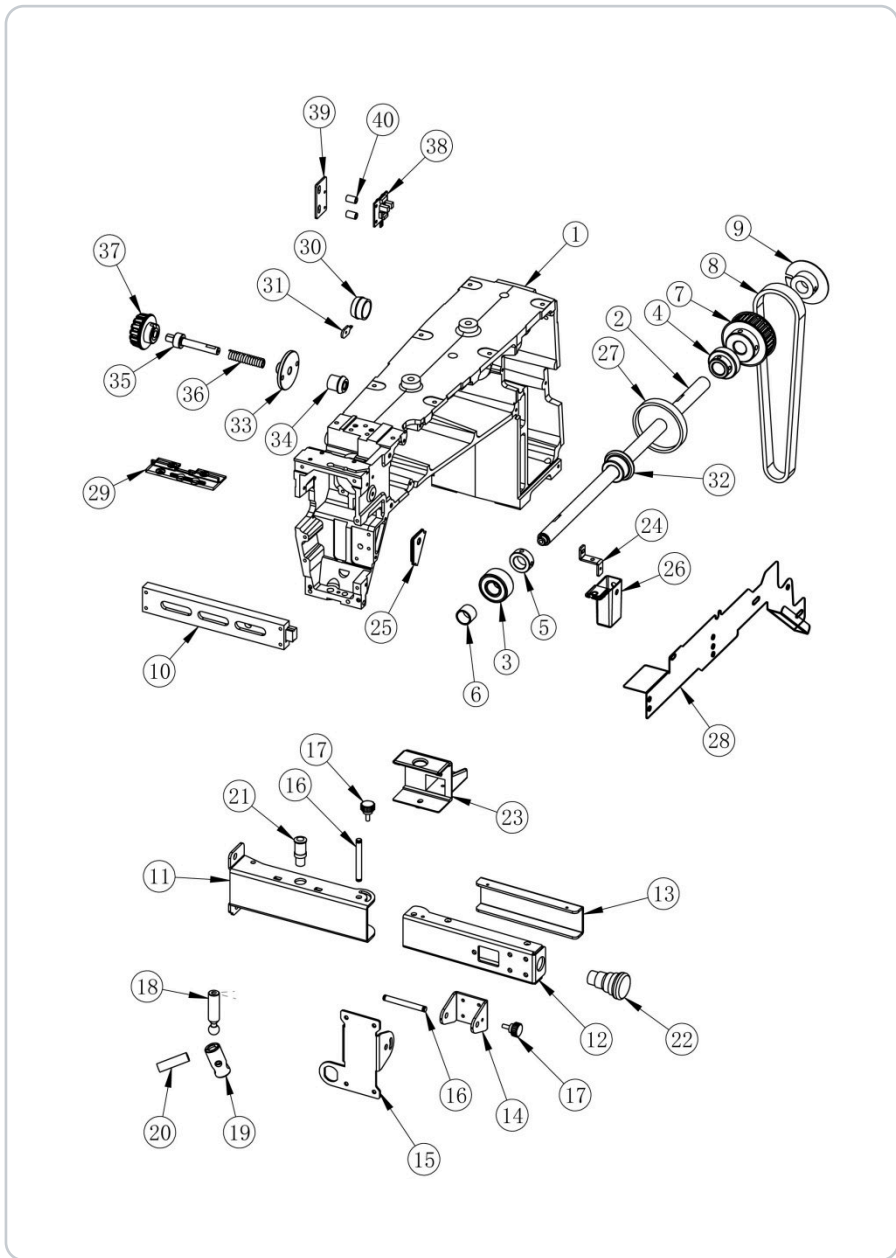
02 Machine Base 底座



Machine Base 底座

No.	Chinese Description	Description	Part No.	Qty
1	底座-10针机	Base	110110011	1
2	电源开关接口板-10针机	Switch Base	110110012	1
3	网口USB板	USB Board		1
4	下电气盖板-10针机	Cover	110260016	1
5	M式马头换色电机	Step Motor	206010004	1
6	圆刀同步轮 (大) 3M30Td6.35	Pulley	105030068	1
7	剪线电机座-HALO圆刀	Motor Base	110030030	1
8	剪线感应缺口片-HALO	Sensor Plate	110030031	1
9	圆刀剪线限位支架-HALO	Sensor Support Bracket	110030032	1
10	光电开关-嘉准SPX307Z	Limit Sensor	207030008	1
11	10针机剪线皮带3M-276-8	Timing Belt	204030055	1
12	软胶扶手-10针机	Rubber Handle	110260017	2
13	底脚调节螺栓 - M10D50	Adjust Bolt	110110015	4
14	总电源按钮开关	Switch	207060002	1
15	卡式电源插口DB14F2	Power Outlet	207060006	1

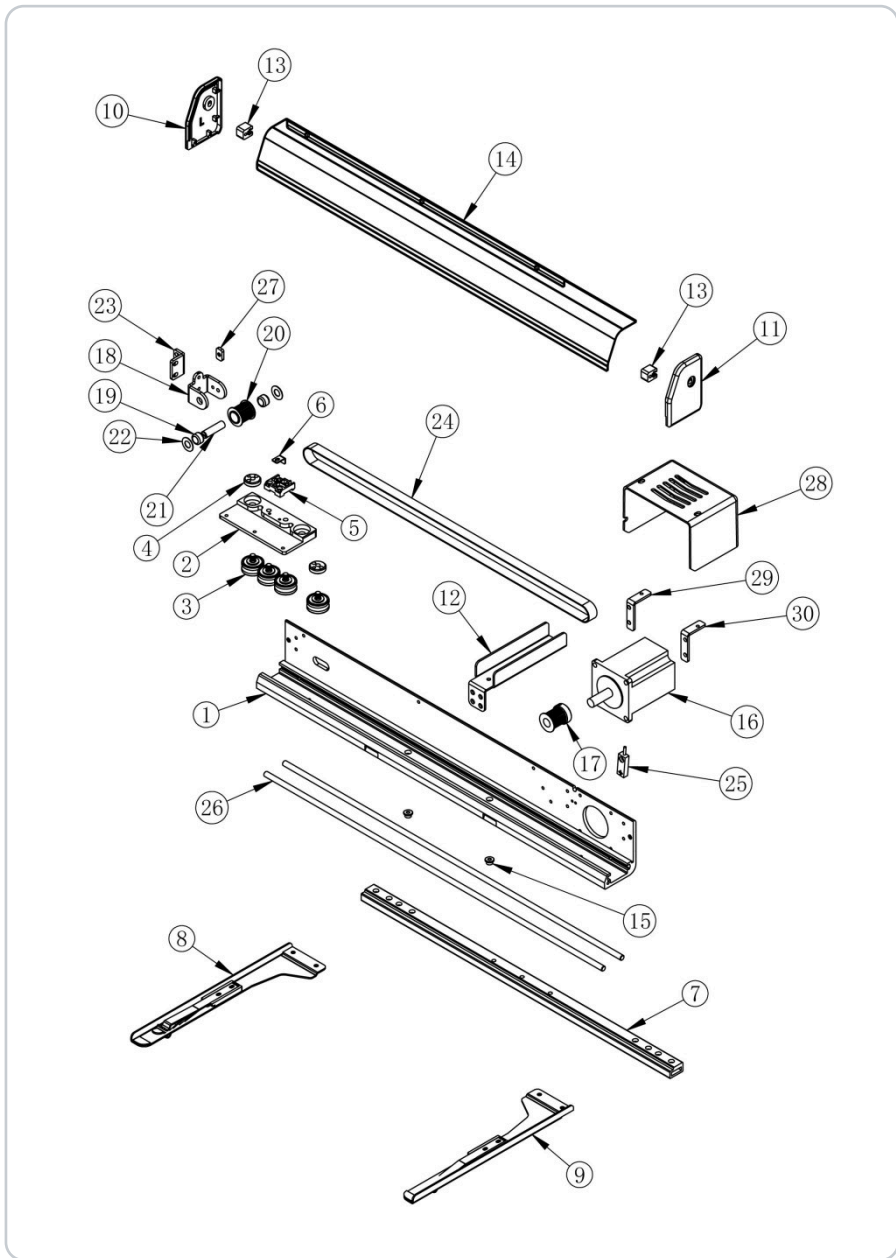
03 Arm 机头臂



Arm 机头臂

No.	Chinese Description	Description	Part No.	Qty
1	机头臂-10针机	Arm	110010046	1
2	家用机上轴 - 压簧挑线	Upper Shaft	110010002	1
3	双列轴承3202	Bearing	202020001	1
4	联体轴承6003d15	Bearing	202150003	1
5	上轴定位挡圈	Back Collar	105010079	1
6	上轴前隔圈	Front Collar	105010080	1
7	上轴同步铝轮 S5M 32T W18	Timing Pulley	110010003	1
8	马头机主皮带S5ML525W15	Timing Belt	204030008	1
9	零位感光轮	ZERO Position Disk	105010007	1
10	12针嵌装直线导轨L206	Guide Rail	203030016	1
11	显示器支架A段 - 10针机	Stand A	110010047	1
12	显示器支架B段 - 家用机	Stand B	110010005	1
13	显示器支架C段 - 家用机	Stand C	110010006	1
14	显示器后座B	Back Bracket	110010007	1
15	显示器后支架体	Back Bracket B	110010017	2
16	转轴销D6	Pin D6	110010008	2
17	梅花螺栓M4	Bolt M4	110010009	2
18	红外线旋转柱头	Infrared Location Bracket	110010044	1
19	红外线塑料立柱	Infrared Location Bracket	110010045	1
20	红外线定位器	Infrared Location	207250001	1
21	按钮开关d12	Switch	207060004	1
22	小急停开关	Emergency Stop Switch	207060001	1
23	上拖链塑料座	Line Base	110260028	1
24	机头油杯支架 - Y400	Support	105010073	1
25	凸轮油封堵头	Plug Up	110010015	1
26	机头上油杯	Oil Cup	110010013	1
27	刻度盘-马头机	Shaft Dial	105010009	1
28	过线槽-后臂	Cable Plate	110110014	1
29	M式马头换色导条	Color Change Guide Plate	105010020	1
30	放大镜组件	Dial Observer Set	302020008	1
31	刻度盘指针-10针机	Pointer	110010048	1
32	手动轮用伞齿轮 (大)	Lower shaft Gear -A	105010018	1
33	手柄轮座	Handle Bushing	105010015	1
34	手动轮用伞齿轮 (小)	Lower shaft Gear -B	105010019	1
35	手动轮轴	Shaft	105010013	1
36	压脚弹簧(0.8*65*19圈)	Compression Spring	102020010	1
37	塑料手柄	Adjustment Handle	105010017	1
38	主轴零位感应板	ZERO Board		1
39	零位光耦安装板	Plate	110010010	1
40	绝缘柱d4D7H11	Washer	110010011	2

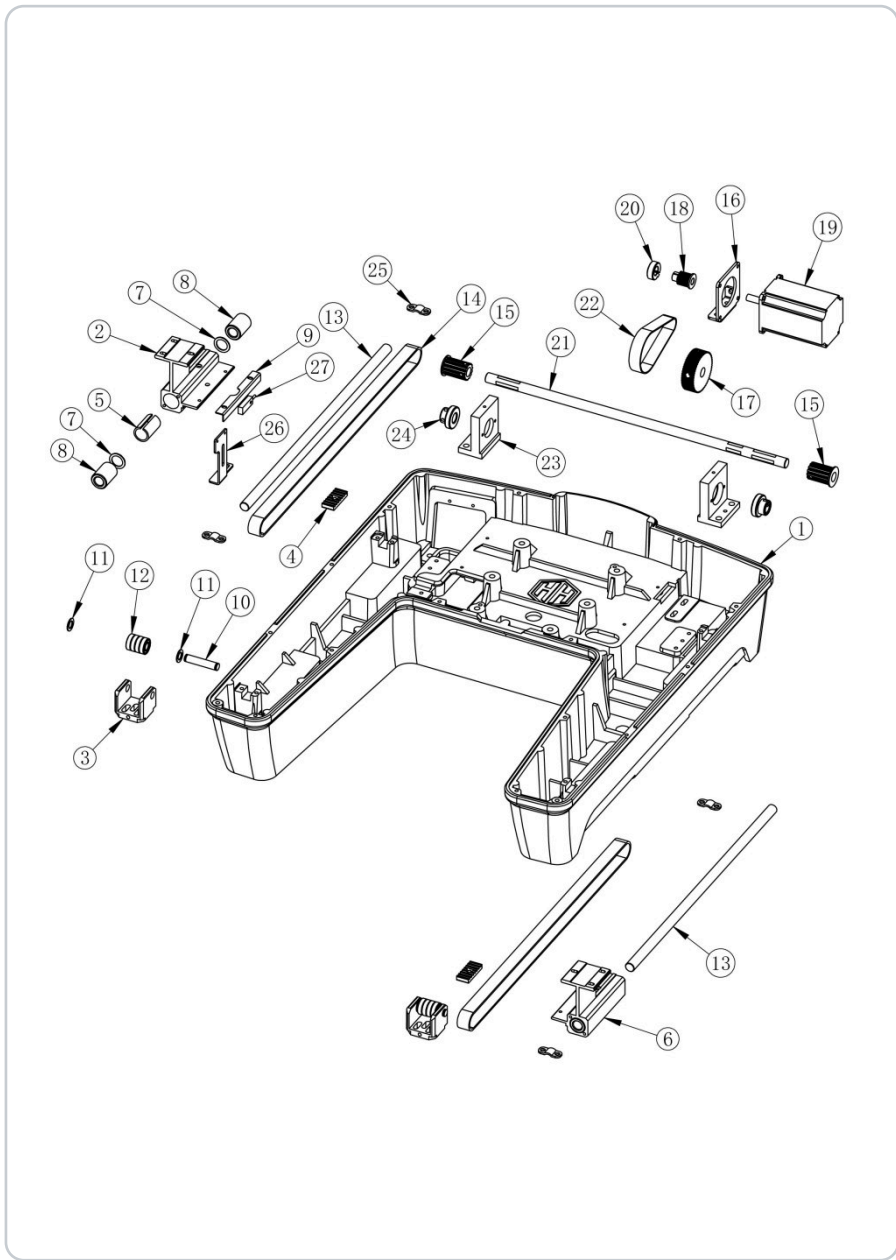
04 X Axis Guide Rail X向导轨



X Axis Guide Rail X向导轨

No.	Chinese Description	Description	Part No.	Qty
1	X驱动底板 - X360	X-Rail Base	110150057	1
2	X框架轴承安装板	Bearing Slide Block	110150002	1
3	U型轴承627U	U Bearing	202140002	4
4	调节偏心螺母M6	Eccentric Nut	110150003	2
5	X皮带压块 - 塑料	Belt Press Block	110150004	1
6	遮光感应片	Sensor Slice	110150005	1
7	扶手基板 X360	Hold Hand Base	110150056	1
8	家用机左边扶手 - Y240	Hold Hand L	110200001	1
9	家用机右边扶手 - Y240	Hold Hand R	110200002	1
10	X驱动侧塑料罩-左	Side Cover	110260020	1
11	X驱动侧塑料罩-右	Side Cover	110260021	1
12	拖链下托架	Support Bracket	105090017	1
13	X端头盖底座	Cover Bracket	110260022	2
14	X驱动罩盖-10针机X360	Cover	110260019	1
15	嵌入用螺母M4	Screw M4	110150050	2
16	马头X电机	Step Motor	206030002	1
17	X主动皮带轮 (S3M皮带W20)	Timing Pulley	105150036	1
18	X被动轮座 - 10针机	Pulley Base	110150060	1
19	轴承NK0808	Bearing	202070002	2
20	X被动皮带轮 (S3M皮带W16)	Pulley	105150037	1
21	X被动轮轴 - 家用机	Timing Pulley Shaft	110150008	1
22	四氟乙烯垫片d8	Washer	110150009	2
23	被动轮调节支架	Bracket	110150010	1
24	家用机X皮带S3ML888W12	Timing Belt	204030058	1
25	接近开关 (马头剪线)	Limit Sensor	207030005	1
26	X驱动轴承导向轴X360	Guide Shaft	110150058	2
27	X被动轮支架固定块	Block	110150012	1
28	X向电机塑料罩	Motor Cover	105150064	1
29	X向电机罩壳左支架	Motor Cover Bracket-L	105150077	1
30	X向电机罩壳右支架	Motor Cover Bracket-R	105150078	1

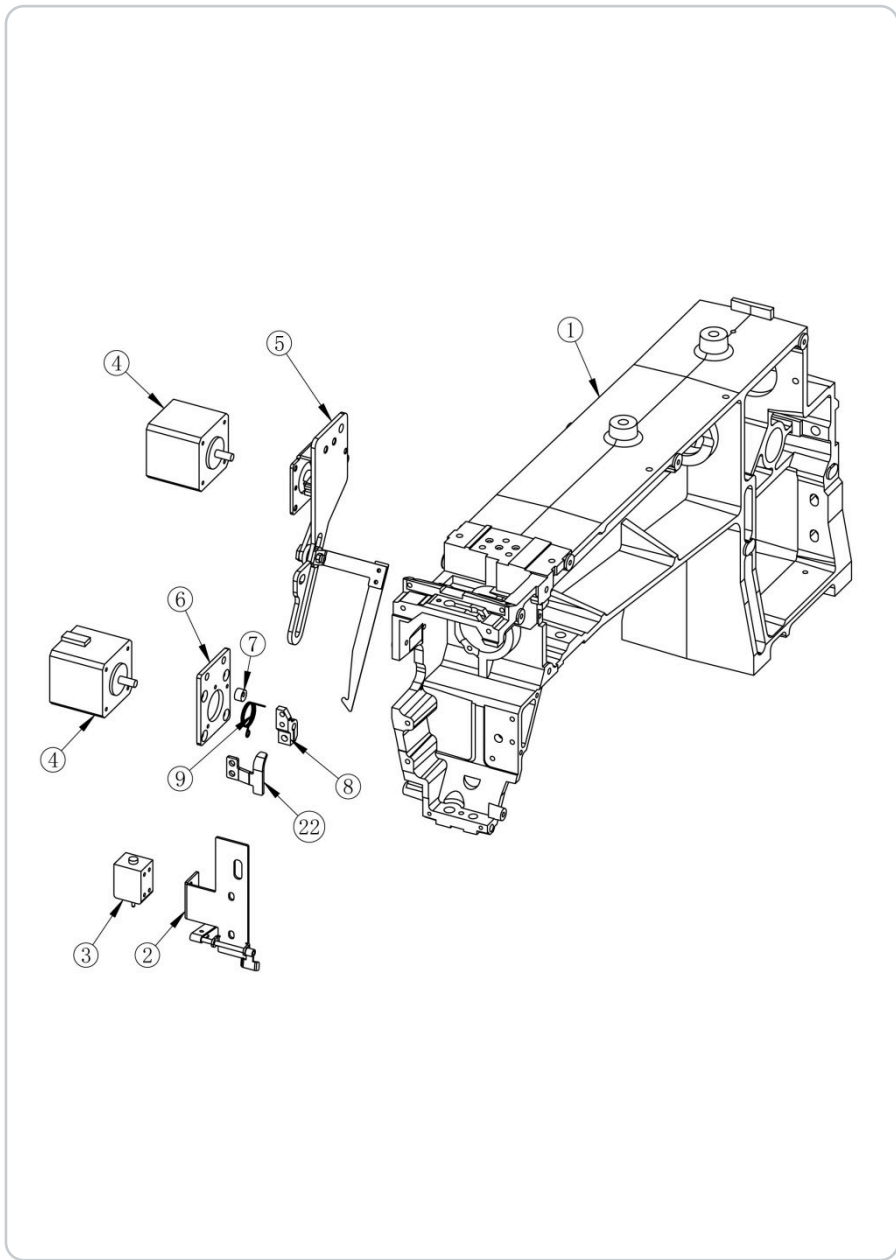
05 Y Axis Guide Rail Y向导轨



Y Axis Guide Rail Y向导轨

No.	Chinese Description	Description	Part No.	Qty
1	底座-10针机	Base	110110011	1
2	驱动扶手-左单12轴	Y Drive Connecting Bracket-L	110150052	1
3	被动轮座W20d9	Pulley Base	105160132	2
4	Y向皮带压板5MW16	Press Block Up	110150039	2
5	毛毡-12轴用	Felt	105160090	2
6	驱动扶手-右12单轴	Y Drive Connecting Bracket-R	110150053	1
7	垫片D21d15T1	Washer	110150049	4
8	铜套d12D21L30	Copper Cover	110150027	4
9	Y限位感应直角片	Sensor Plate	105160099	1
10	Y向被动轮轴d9L44	Pulley Shaft	105160133	2
11	尼龙垫片d9	Nylon Gasket		4
12	轴承699	Bearing	202010017	8
13	Y导向轴-10针机	Y-Guide Shaft	110150059	2
14	开口皮带T5-16	Timing Belt	204010006	2
15	Y主动轮T5 14T d12	Timing Pully	110150023	2
16	Y57电机座	Motor Base	110150036	1
17	Y电机大轮S3M54TW16d12	Timing Pully	110150021	1
18	Y电机轮S3M18TW16 - d8	Timing Pully	110150022	1
19	Y电机-HALO	Motor	206030001	1
20	齿轮抱紧套-d11	Collar	110150041	1
21	Y驱动轴-10针机	Y Shaft	110150054	1
22	Y电机皮带S3M-237-15	Belt	204030021	1
23	轴承座h30-10针机	Bearing Base	105160134	2
24	联体轴承S6902RS d12	Bearing	202150019	2
25	12轴压片	Tablet Press	105160097	4
26	Y感应器支架-10针机	Y Sensor Base	110150055	1
27	接近开关(马头剪线)	Limit Sensor	207030005	1

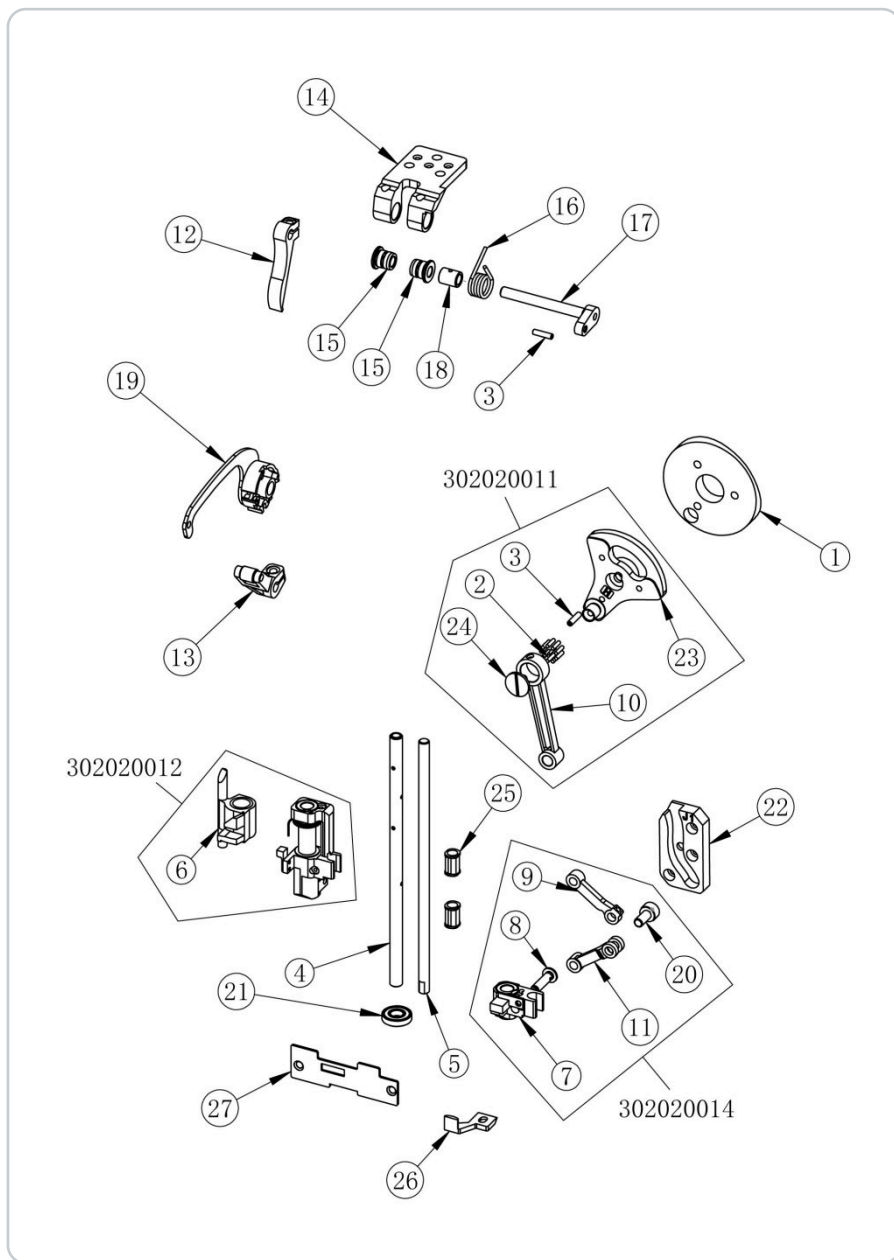
06-1 Jump Motor 机头跳跃 勾线 面夹



Jump Motor 机头跳跃 勾线 面夹

No.	Chinese Description	Description	Part No.	Qty
1	机头臂	Arm	110100001	1
2	锁线装置组件-家用机	Thread Lock Set	302010048	1
3	面线夹电磁铁 (小)	Solenoid	206150001	1
4	勾线跳跃电机-HALO	Motor	206010001	2
5	勾线组件 (不带电机) -M式马头	Thread Hook Set	302010028	1
6	马头跳跃电机板	Motor Base	105040005	1
7	橡胶缓冲套	Damper Ring	102090013	1
8	跳跃夹紧块-马头	Jumping Lever	105040007	1
9	马头跳跃弹簧	Spring	105040006	1

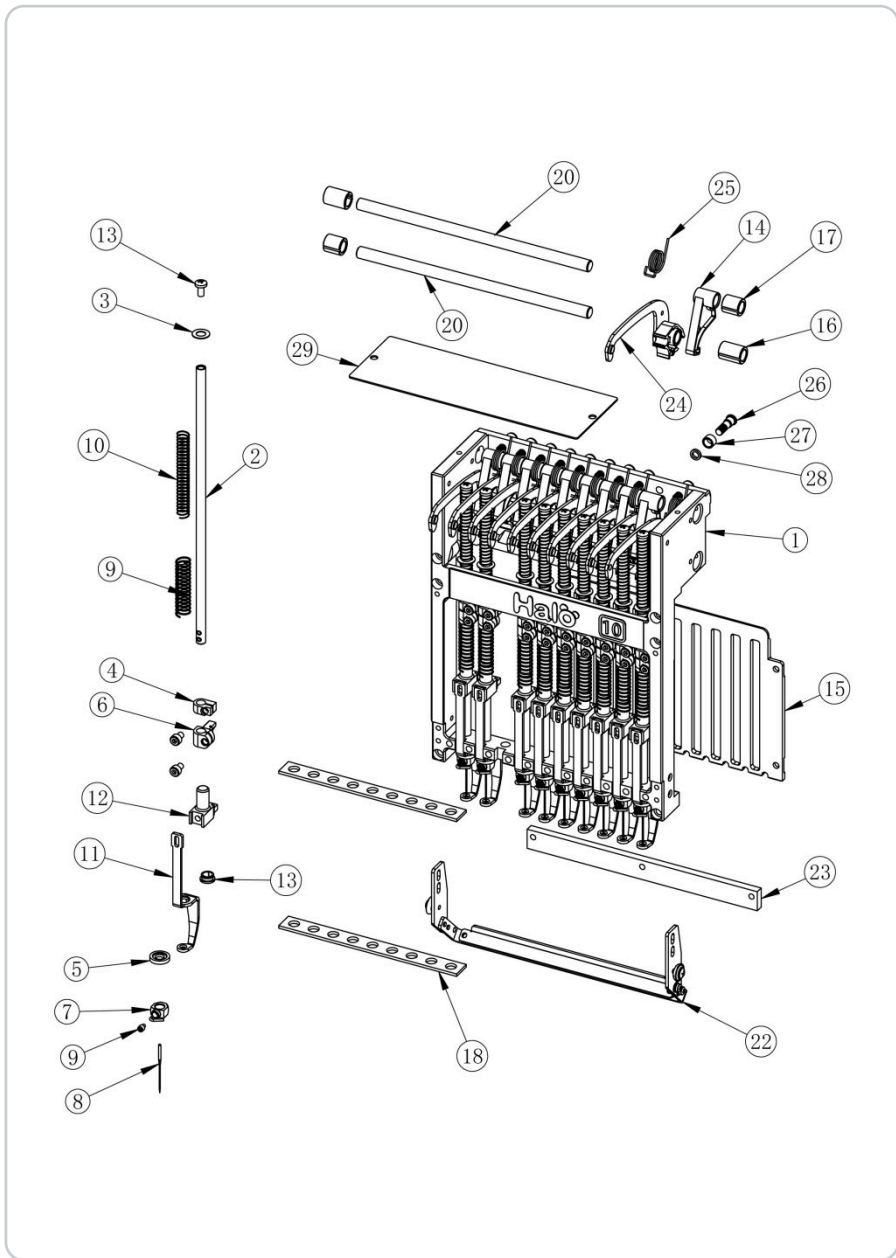
06-2 Needle Bar Driving Cam Set 针杆驱动 挑线驱动



Needle Bar Driving Cam Set 针杆驱动 挑线驱动

No.	Chinese Description	Description	Part No.	Qty
1	马头压簧挑线凸轮	Take-Up Cam	110010021	1
2	保持架滚针轴承 D12d8H7.8	Bearing	202070004	1
3	齿形开口销D3	Pin	110010022	1
4	针杆驱动轴	Needle Bar Drive Shaft	105010027	1
5	压脚轴 - 家用机	Shaft	110010023	1
6	驱动块 - M式	Needle Bar Reciprocator	110010024	2
7	压脚驱动块本体 -M式	Presser Foot Block	110010025	1
8	压脚块挡边销d5	Pin	110010026	1
9	侧槽压脚连杆 - 上	Connecting Rod Up	110010027	1
10	马头机大连杆	Big Rod	110010028	1
11	侧槽压脚连杆 - 下	Connecting Rod Do	110010029	1
12	压簧挑线弧槽驱动臂	Drive Rod	110010030	1
13	马头压簧挑线杆B	Spring Trestle Rod	110010031	1
14	挑线臂支点座	Take-up Bar Base	110010032	1
15	支点轴铜套A	Copper	110010033	1
16	挑线扭簧	Spring	110010034	1
17	马头压簧支点轴臂	Thread Trimming Lever	110010035	1
18	压簧套圈	Spring Collar	110010036	1
19	挑线杆片	Take-Up Lever	110010038	1
20	带销轴承D10d5	Bearing	110010039	1
21	下导轨轴承	Bearing	202010004	1
22	压脚凸轮J1	PressFoot Cam J1	110010040	1
23	针杆驱动半圆偏心块 -M式	Arm Cam	110010018	1
24	曲轴M4螺丝	Screw	105010065	1
25	轴套-辅助轴	Shaft Neck Bush	105010054	2
26	针杆架定位勾	Positioning Hook	105010067	1
27	机头前下盖板-M式马头	Guide Plate	105010066	1

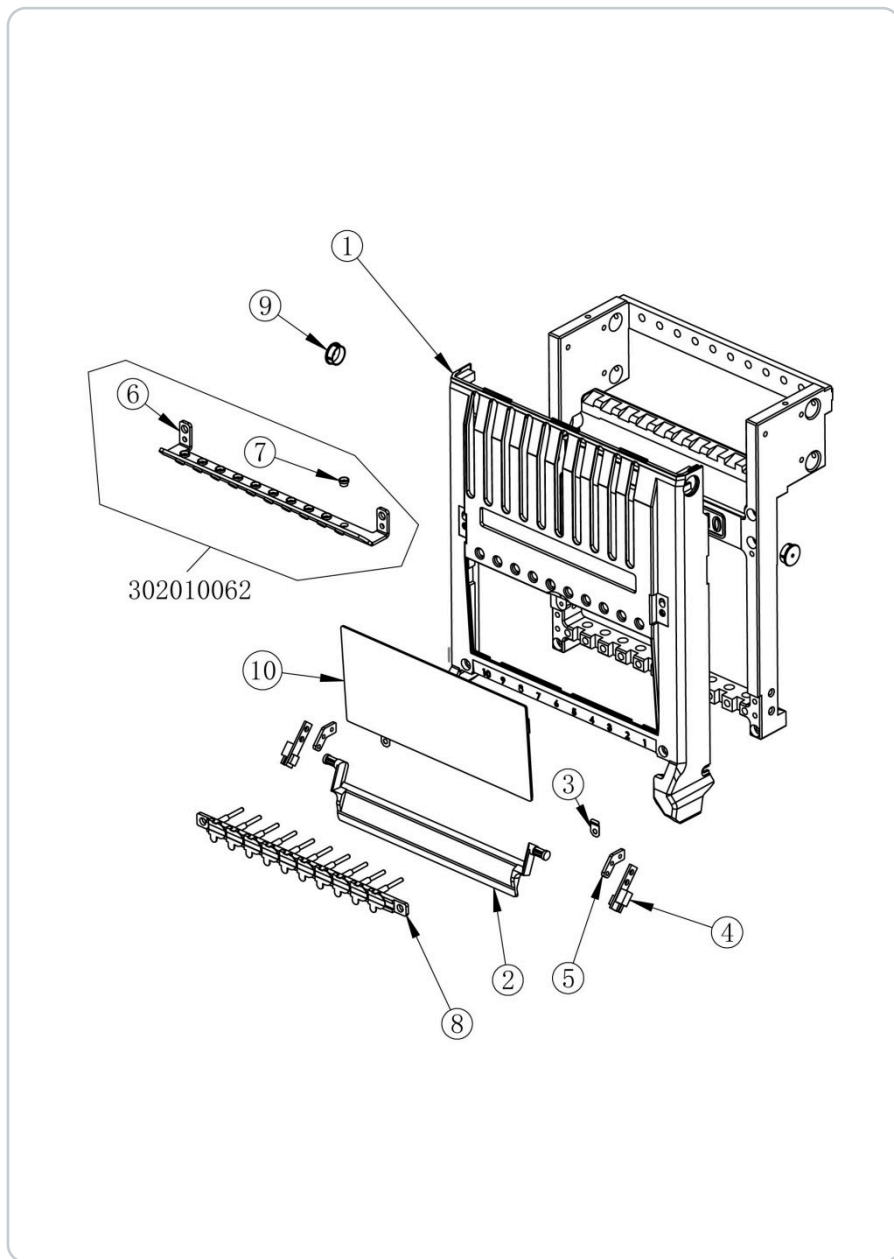
07-1 Needle Bar Take Up Lever 针杆架



Needle Bar Take Up Lever 针杆架

No.	Chinese Description	Description	Part No.	Qty
1	10针针杆架-HALO	Needle Case	110020008	1
2	针杆L217	Needle Bar	105020005	10
3	上弹簧垫片	Washer		10
4	上死点	Stopper Upper Poin	102020008	10
5	压脚下弹簧圈	Washer	102020057	10
6	下死点	Needle Bar Connecting Stu	102020009	10
7	针夹 (连螺钉)	Needle Clamp	102020016	10
8	机针-11#	Needle	211090005	10
9	压脚弹簧(0.8*65*19圈)	Compression Spring	102020010	10
10	针杆上弹簧	Upper Spring	102020005	10
11	压脚-56	Presser Foot	102020014	10
12	压脚调节套	Presser Foot Set Clamp	102020013	20
13	压脚中塑料套	Presser Foot Bushing	102020012	10
14	自扣	Lever Stopper	102020032	11
15	10针针杆导板	Baffle	110020015	1
16	开口轴衬L16	Split Collar	102020022	2
17	开口轴衬L12	Split Collar	102020017	2
18	毛毡垫 9N	Felt Packing	102020059	2
19	麻垫	Damper Ring	102020007	1
20	挑线杆导向轴-10针	Guide Shaft	110020014	2
21	挑线杆片	Take-Up Lever	110010038	1
22	下毛刷组件-10针	Thread Holder	302010061	1
23	下导轨条-10针机	Lower Guide Rail	203040012	1
24	挑线杆片	Take-up Lever	110010038	10
25	马头机自扣弹簧	Spring	105020022	10
26	分段销	Pin	105080017	10
27	换色滚珠	Collar	105080016	10
28	垫片 - 分段销	Bushing	105080018	10
29	针架上隔板 - 10针	Top Plate	110020016	1

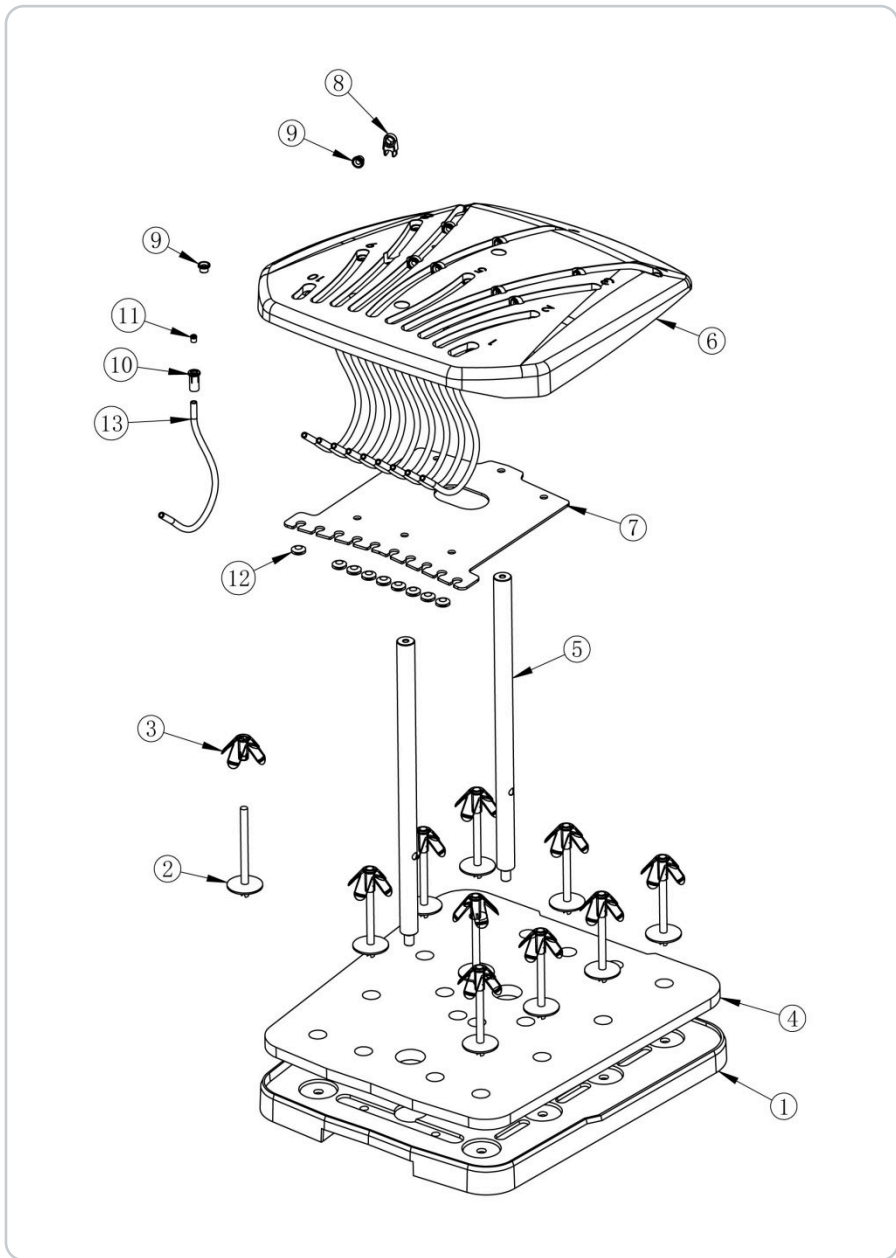
07-2 Head Cover Thread Lock 面盖、中下过线



Head Cover Thread Lock 面盖、中下过线

No.	Chinese Description	Description	Part No.	Qty
1	主面盖-10针	Protect Cover	110020011	1
2	针透明保护板 - 10针	Protect Plate	110020013	1
3	保护板弹片	Plate Shrapnel	110020004	2
4	LED侧灯	LED		2
5	Led灯底板	Led Base	110020005	2
6	中过线组件 -10针	Middle Thread Course Shaft	302010062	1
7	瓷眼D4.3d2.4H3	Porcelain Sleeve	102020020	20
8	下面线压线架 - 10针	Thread Press Set	110020010	1
9	螺丝盖头	Screw Cover	110260014	2
10	下面板-10针机	Lower Protect Cover	110010012	1

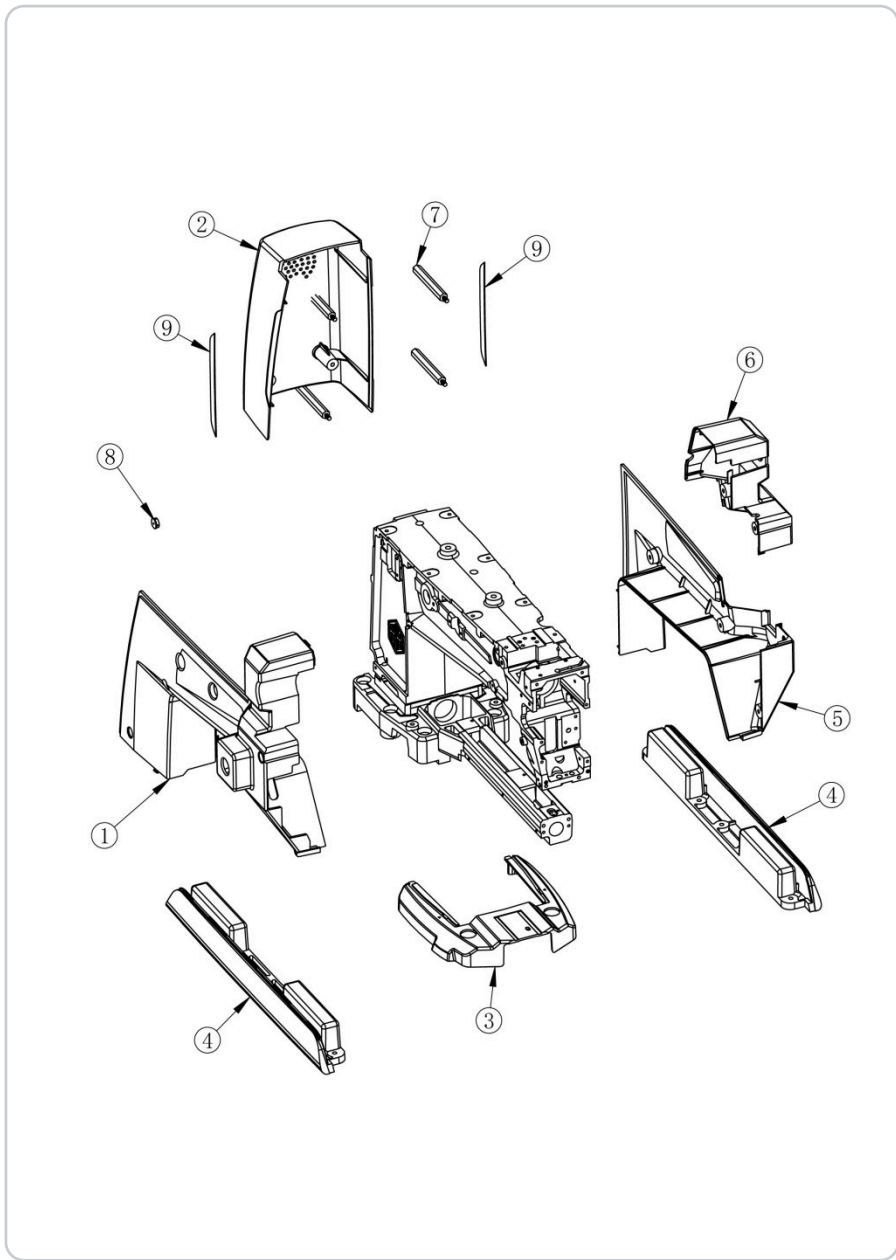
08 Thread Stand 线架



Thread Stand 线架

No.	Chinese Description	Description	Part No.	Qty
1	塑料线盘-10针机	Thread Stand Plate	110210014	1
2	塑料线钉	Pin	105210028	10
3	线团伞 - 家用机	Umbrella	110210012	10
4	线团海绵垫-10针机	Cushioning	110210016	1
5	线架立柱-10针机	Thread Stand	110210017	2
6	上线盘-10针塑料带字	Wire Feame Plate	110210015	1
7	线盘加强板-10针	Thread Stand Plate	110210018	1
8	线架瓷眼座	Porphyry Eye Base	110210002	8
9	线架瓷眼D6点8	Porphyry Eye	110210013	18
10	导线管套头 - 线架端	Plastica Collar	110210004	10
11	套头内瓷套	Porcelain Sleeve	110210006	10
12	双面护线橡胶圈d6	Rubber Ring	110210008	10
13	透明线管	Line Pipe	110210007	10

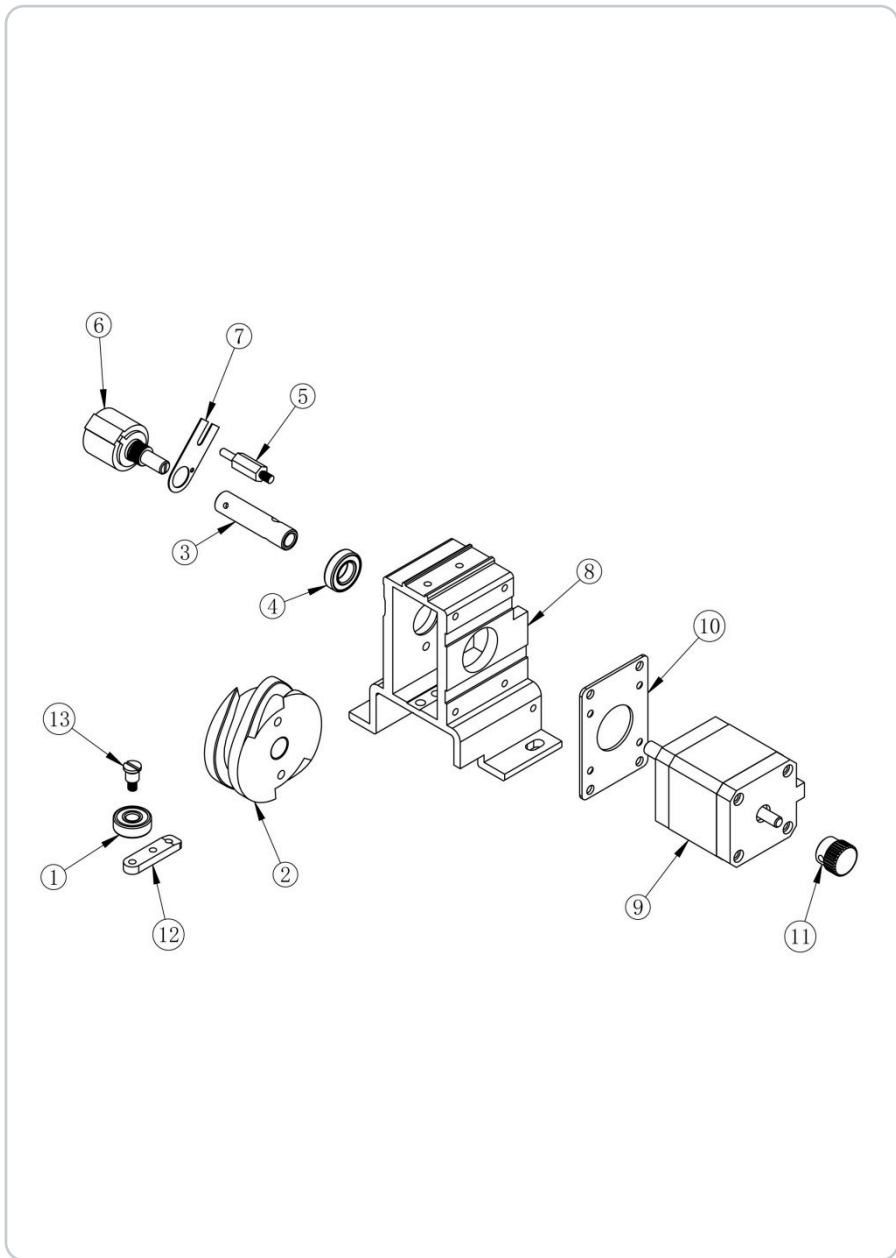
09 Machine Cover 机器罩盖



Machine Cover 机器罩盖

No.	Chinese Description	Description	Part No.	Qty
1	马头臂罩盖(左)-10针机	Arm Cover L	110260023	1
2	塑料后罩盖-10针机	Arm Cover Back Side	110260026	1
3	梭床上罩盖-10针机	Bed Cover	110260027	1
4	软胶扶手-10针机	Rubber Handle	110260017	2
5	马头臂罩盖(右)-10针机	Arm Cover R	110260024	1
6	马头臂罩盖(右小块)-10针机	Arm Cover R Small	110260025	1
7	后罩盖螺柱-H80	Cover Support H80	110110013	4
8	螺丝盖头	Screw Cover	110260014	12
9	后罩盖侧面贴花	Trim Strip	110260029	2

10 Color Change Parts 换色

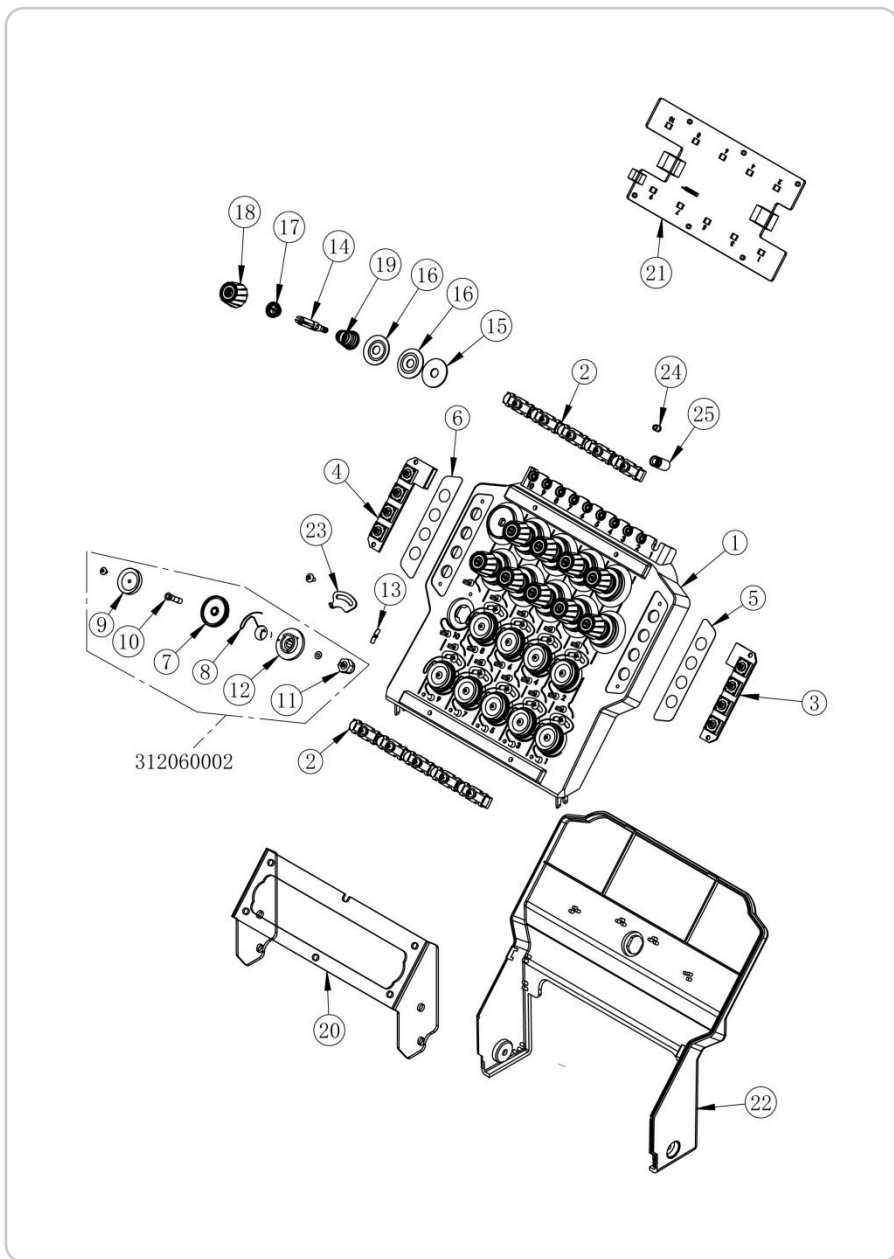


Color Change Parts 换色

No.	Chinese Description	Description	Part No.	Qty
1	轴承606z	Bearing	202010012	1
2	换色 凸轮	Cam	105080001	1
3	换色凸轮轴套 -HALO	Bushing	110080002	1
4	轴承6800z	Bearing	202010011	1
5	电位器螺栓	Fixed Bolt	105080004	1
6	马头机换色电位器	Potentiometer	207020001	1
7	电位器支撑板	Potentiometer Support	105080010	1
8	换色底座 - 铝型材	Color Change Base	110080001	1
9	M式马头换色电机	Motor	206010004	1
10	42换色电机板	Motor Plate	110080003	1
11	电机旋钮 -HALO	Handle	110080004	1
12	自扣轴承板	Bearing Plate	110080005	1
13	换色轴承台阶销d6L12	Pin	105080005	1

11

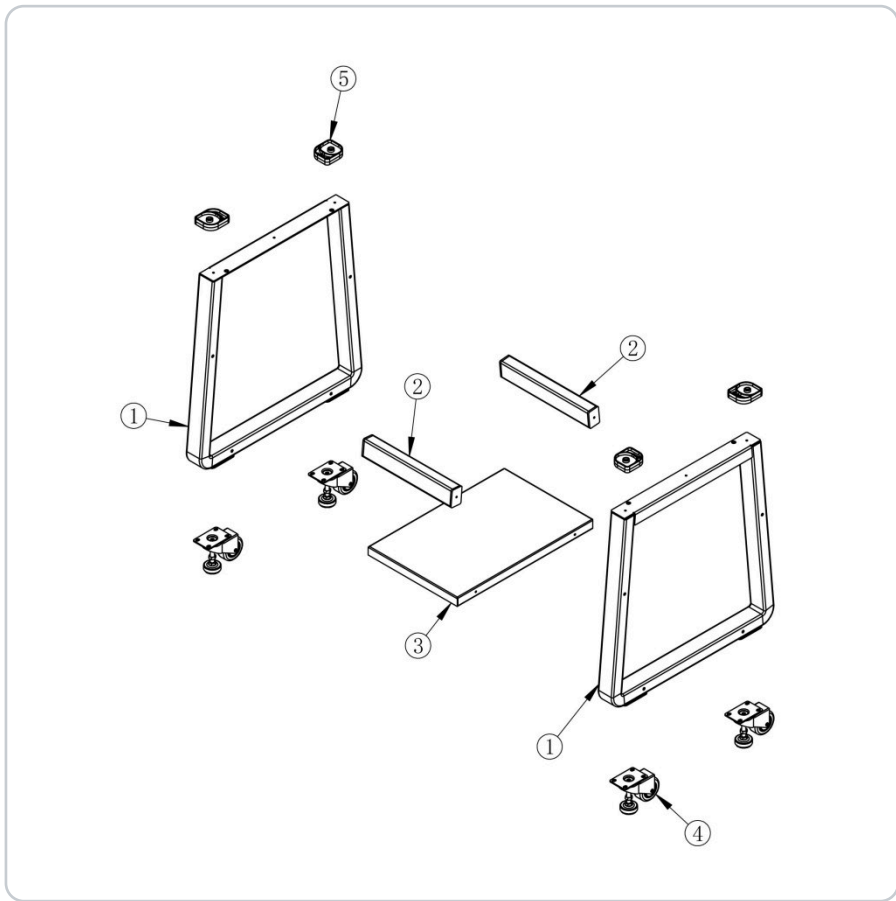
Thread Tension Base 夹线器



Thread Tension Base 夹线器

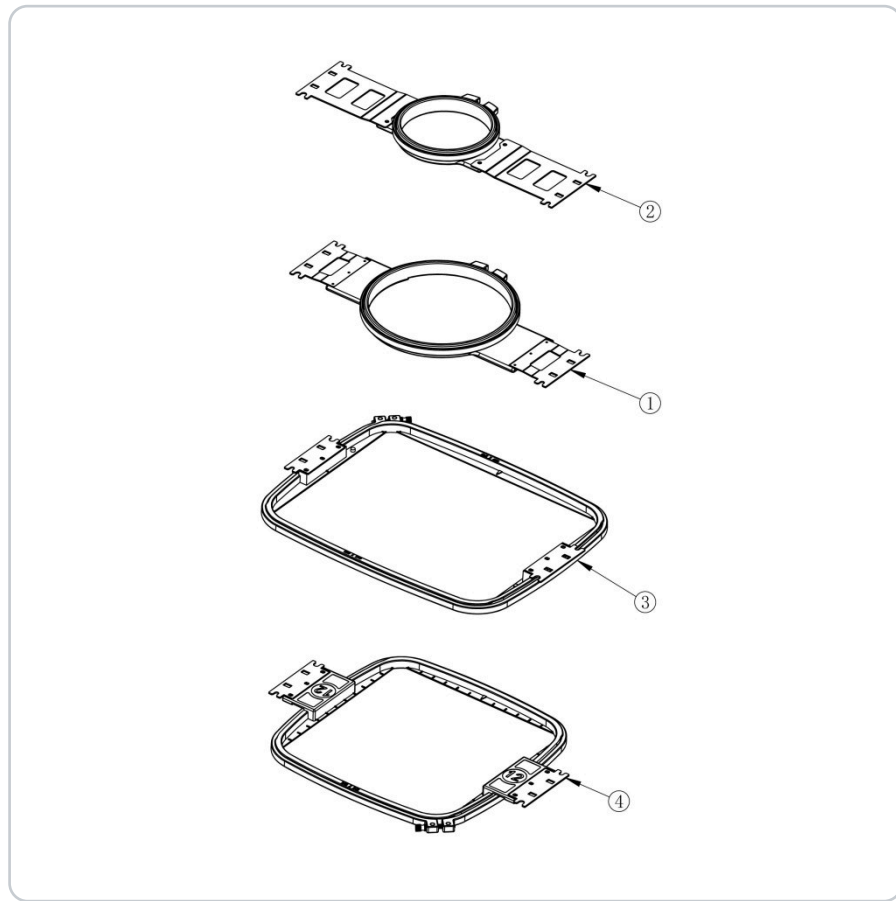
No.	Chinese Description	Description	Part No.	Qty
1	夹线座-10针前片	Thread lead Plate-Front	110060023	1
2	过线压线条组件-10针	Thread Press Set	312010019	2
3	夹线器按键板-右	Key PCB R		1
4	夹线器按键板-左	Key PCB L		1
5	夹线座按键膜-右	Key Film R	110260030	1
6	夹线座按键膜-左	Key Film L	110260031	1
7	过线簧上座套	Spring Pocket-Under	11060008	10
8	挑线弹簧	Pick Thread Spring	110060009	10
9	过线轮	Thread Wheel	110060010	10
10	铜轮轴	Copper Wheel Shaft	110060011	10
11	六角磁块带螺柱	Magnetic Screw	110060022	10
12	过线簧下座套	Spring Pocket-Under	110060007	10
13	底座弹簧片	Base Spring Sheet	110060020	1
14	带孔开槽螺栓	Slotted Bolt With Hole	110060014	10
15	夹线片下毛毡	Felt	110060015	10
16	旋钮夹线片	Thread Clamp Piece	110060016	20
17	止退棘环	Check Back Ring	110060017	10
18	上旋钮	Upper Knob	110060018	10
19	宝塔弹簧d点4	Pagoda Spring	110060019	10
20	夹线器支架 - 10针	Support	110060025	1
21	磁感应板 - 10针	PCB		1
22	夹线座-10针后片	Thread lead Plate- Back	110060024	1
23	过线簧挡片	Spring Catch	110060021	10
24	套头内瓷套	Porcelain Sleeve	110210006	10
25	导线管套头-夹线器端	Collar	110060006	10

12 Stand 底架



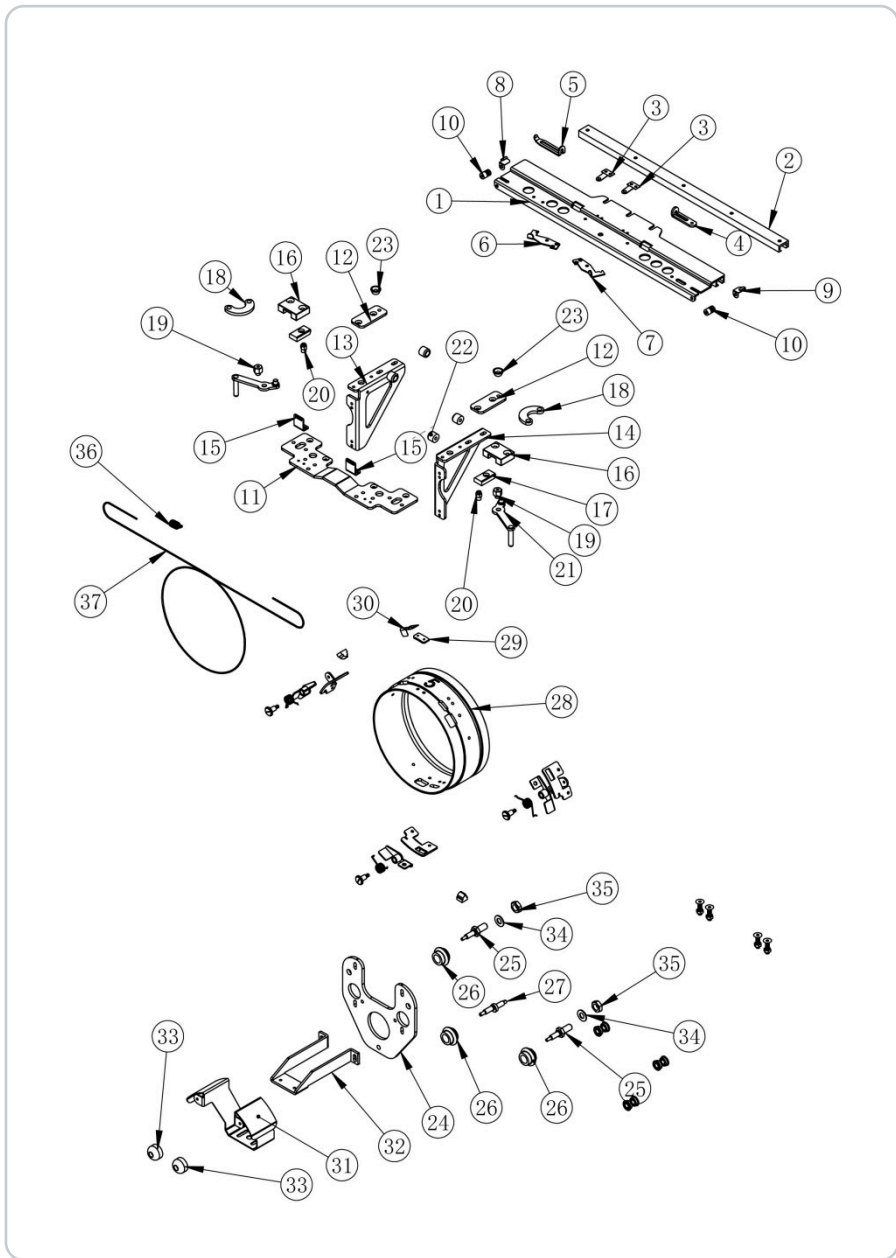
No.	Chinese Description	Description	Part No.	Qty
1	U形侧架管	Stand	313010022	1set
2	方管横档			2
3	下平板-U架			1
4	3寸带垫脚轮	Weels 3inch	210010014	4
5	底架角盘-塑胶	Sypport Bracket	110260032	4

13 Embroidery Frame 花架



No.	Chinese Description	Description	Part No.	Qty
1	家用机绷架-4# 灰色190	Round Frame-190	316010023	1
2	家用机绷架-2# 灰色120	Round Frame-120	316010021	1
3	10针机绷架-1# 360*240	Rectangle Frame	316060014	1
4	家用机绷架-12# 灰色240*240	Rectangle Frame	316060007	1

14 Cap Stand Frame 帽绣组件



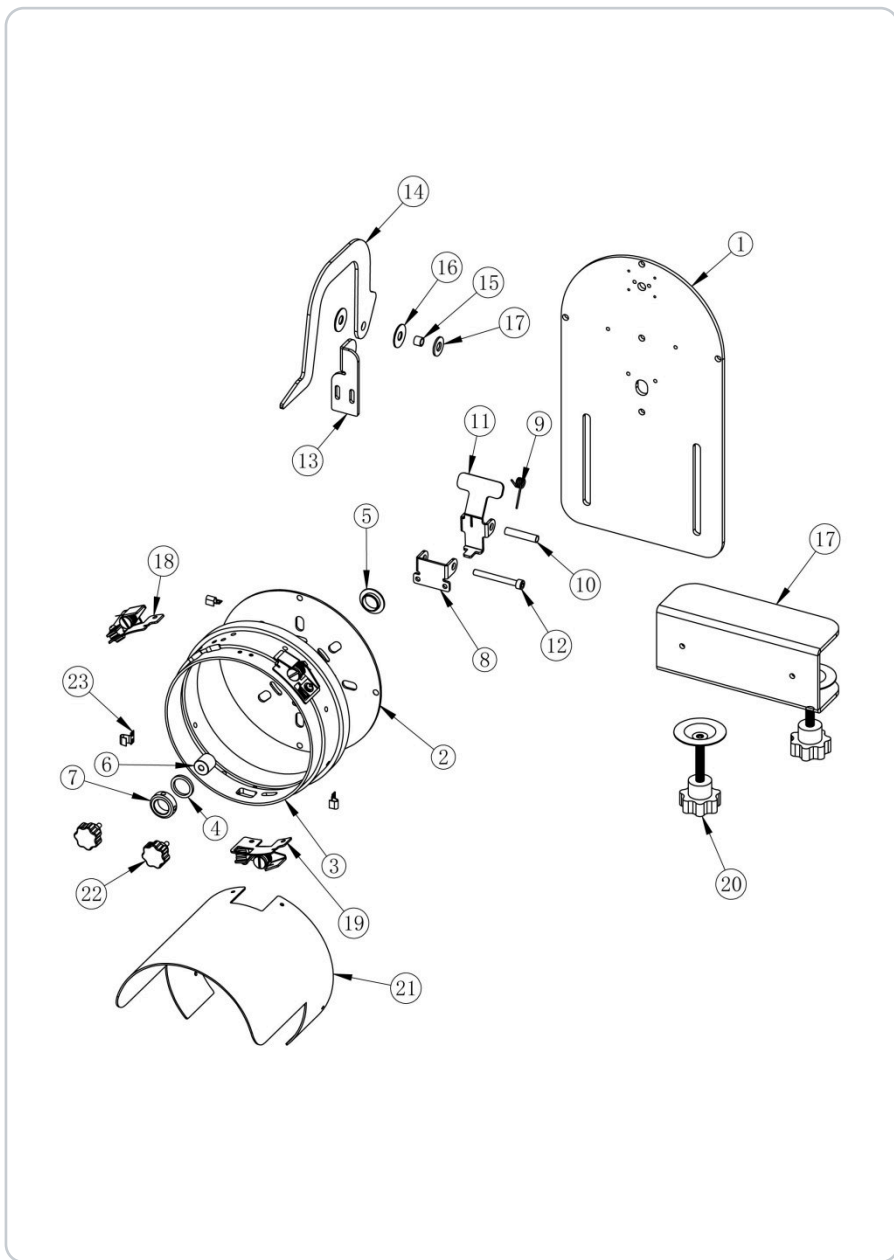
Cap Stand Frame 帽绣组件

No.	Chinese Description	Description	Part No.	Qty
1	上大铝板	Main Plate	0110200020	1
2	尼龙长条	Nylon Guide	0110200021	1
3	弹性片	Shrapnel	0110200022	2
4	钢丝调节块1	Regulating Block	0110200023	1
5	钢丝调节勾	Adjusting Hook	0110200024	1
6	扣片	Gusset Plate	0110200025	2
7	镜向扣片	Gusset Plate	0110200026	1
8	固定弹片	Fixing Plate	0110200027	2
9	镜向固定弹片	Fixing Plate	0110200028	1
10	钢丝过道	Wire Aisle	0110200029	2
11	凸性铝板	Concave-Convex Plate	0110200030	1
12	前后调节铝片	Adjusting Panel	0110200031	2
13	左脚	Left Foot	0110200032	2
14	镜向左脚	Right Foot	0110200033	1
15	锁片	Lock Seat	0110200034	2
16	轨道铝块	Guide Block	0110200035	2
17	70度前压块	Movable Block	0110200036	2
18	旋转扣	Rotating Buckle	0110200037	2
19	旋转螺母	Nuts	0110200038	2
20	旋转螺母 - 滑块处	Rotating Nuts	0110200039	2
21	旋转摇柄	Handle	0110200040	2
22	尼龙导向块 - 支架	Nylon Block	0110200041	4
23	70度后压块	Limit Ring	0110200042	2
24	滚轮底板	Bottom Plate	0110200043	1
25	轮心轴	Pin A	0110200044	2
26	配偏心轴尼龙轮-2	Wheel	0110200045	3
27	偏心轴-2	Pin B	0110200046	1
28	帽圈 - 圆弧槽	Circle	0110200047	1
29	卡口小铁片	Metal plate	0110200048	1
30	边圈勾片	Shrapnel	0110200049	3
31	前支架 - 外	Anterior Bracker A	0110200050	1
32	前支架 - 里	Anterior Bracket B	0110200051	1
33	尼龙导向轮	Guide Wheel	0110200052	2
34	16垫片	Spacer		3
35	螺母	Nuts		3
36	钢丝弹簧	Spring	0110200053	1
37	钢丝	Wire	0110200054	1
38	带台阶轴承D12d6H4	Bearing		6

15

Cap Frame Parts

帽座组件



Cap Frame Parts

帽座组件

No.	Chinese Description	Description	Part No.	Qty
1	帽架支架平板 - 带旋转	Cap Frame Main Su	110200003	1
2	帽架帽圈后板	Back Palte	110200004	1
3	帽座帽圈	Cap Tube	110200005	1
4	轴芯尼龙隔套	Ring	110200006	1
5	轴芯耐磨衬套	plastics Collar	110200007	1
6	轴芯 - 旋转	Pin	110200008	1
7	轴芯挡圈	Collar	110200009	1
8	扳扣底板	Trigger Base Plate	110200010	1
9	扳扣扭簧	Trigger Spring	110200011	1
10	扳扣转轴	Trigger Shaft	110200012	1
11	扳扣板	Trigger	110200013	1
12	M5螺丝 - 45半牙	Screw		1
13	对位板底板	Location Base Plate	110200014	1
14	对位板	Location Plate	110200015	1
15	对位板空心转轴	Location Shaft	110200016	1
16	尼龙垫片D22d8H1	Insulation Spacer	110200017	2
17	帽架支架U板	Support U Plate	110200019	1
18	帽圈卡扣组件A	Snap Set A	317010011	1
19	帽圈卡扣组件B	Snap Set B	317010012	2
20	帽座手柄A	Handle A	103240011	2
21	帽檐	Brim of a hat	103240006	1
22	梅花手柄螺丝M4L10	Screw	110200055	2
23	帽圈弹簧片	Shrapnel	103240009	3