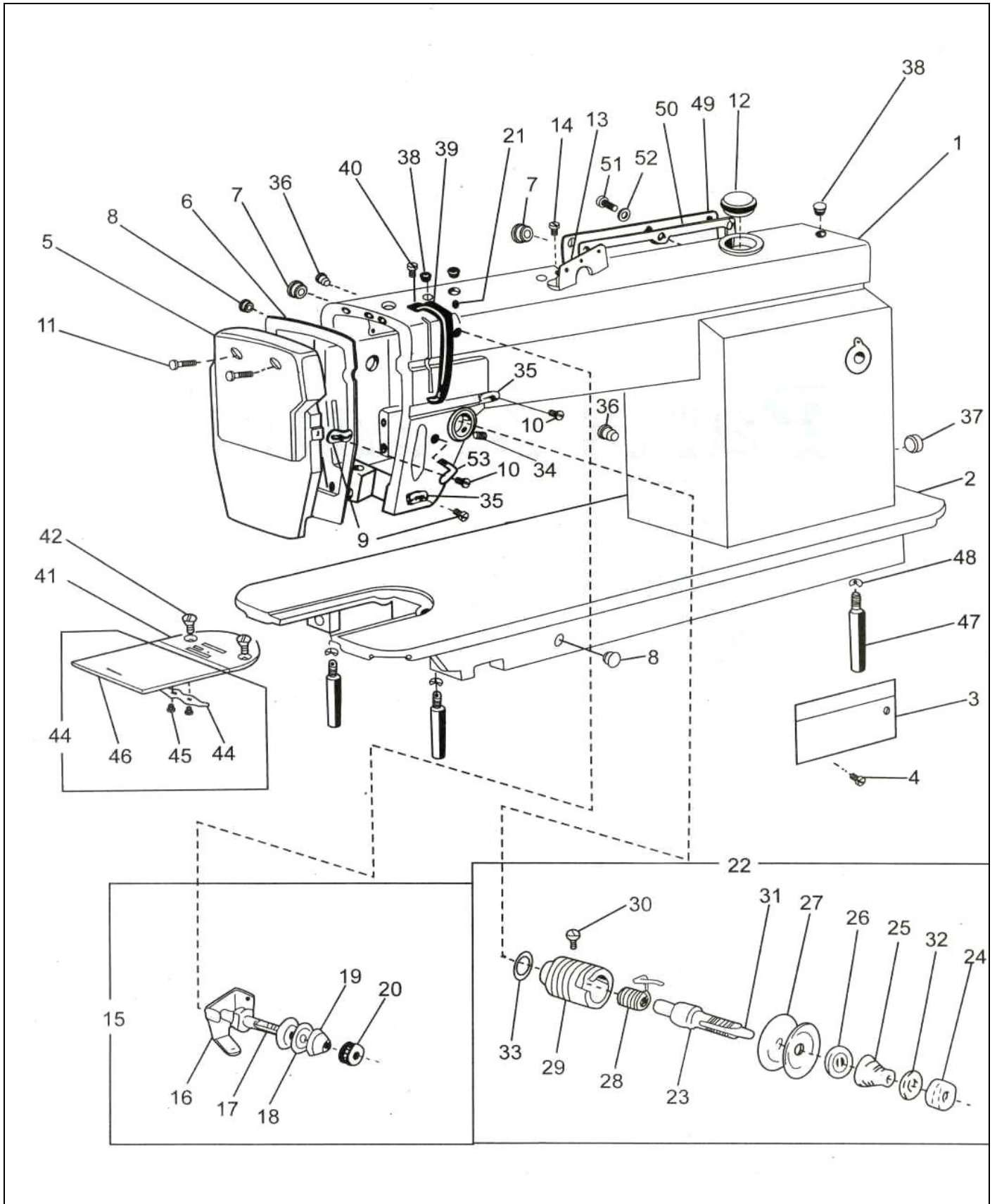


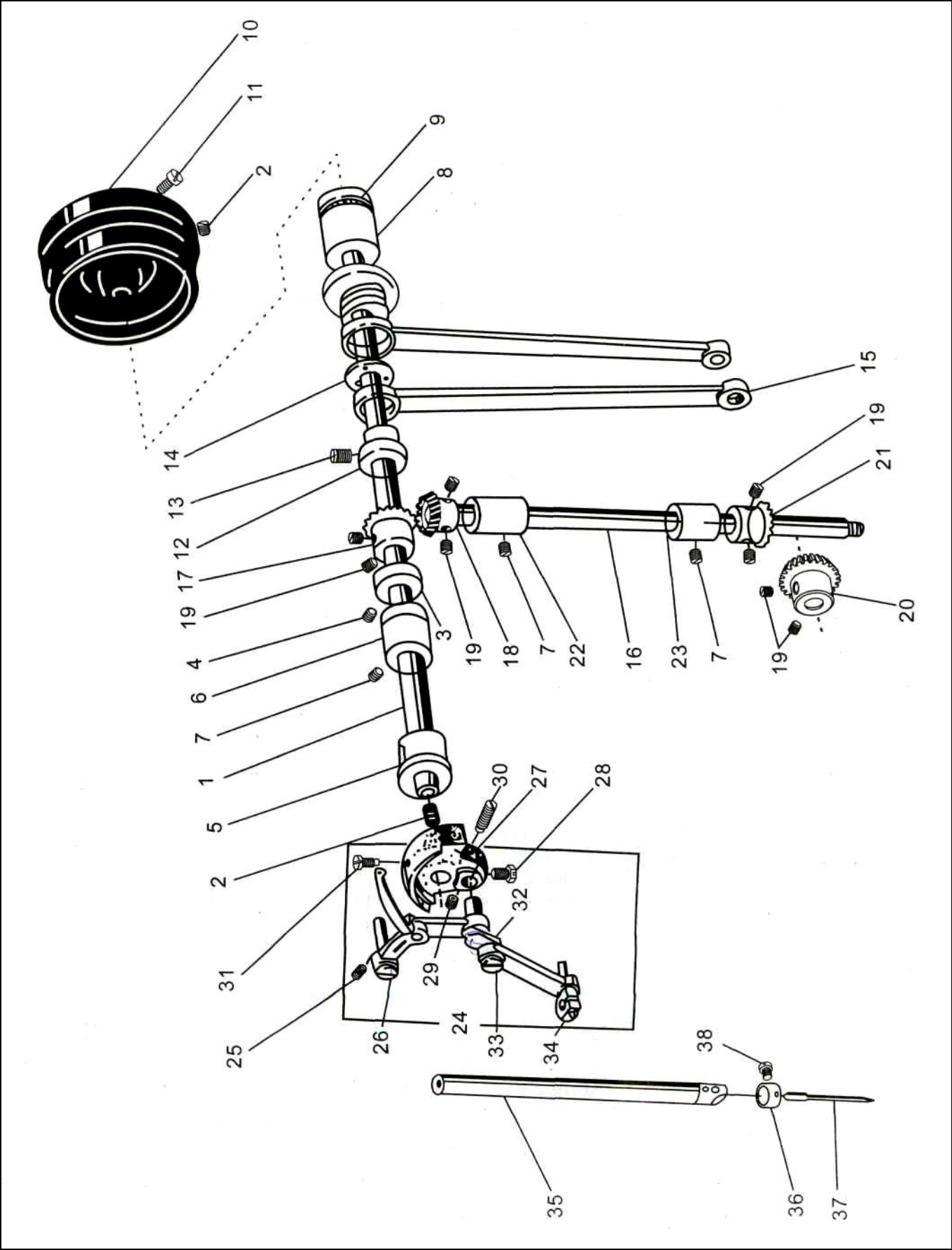
Parts Book

GC 6-7D



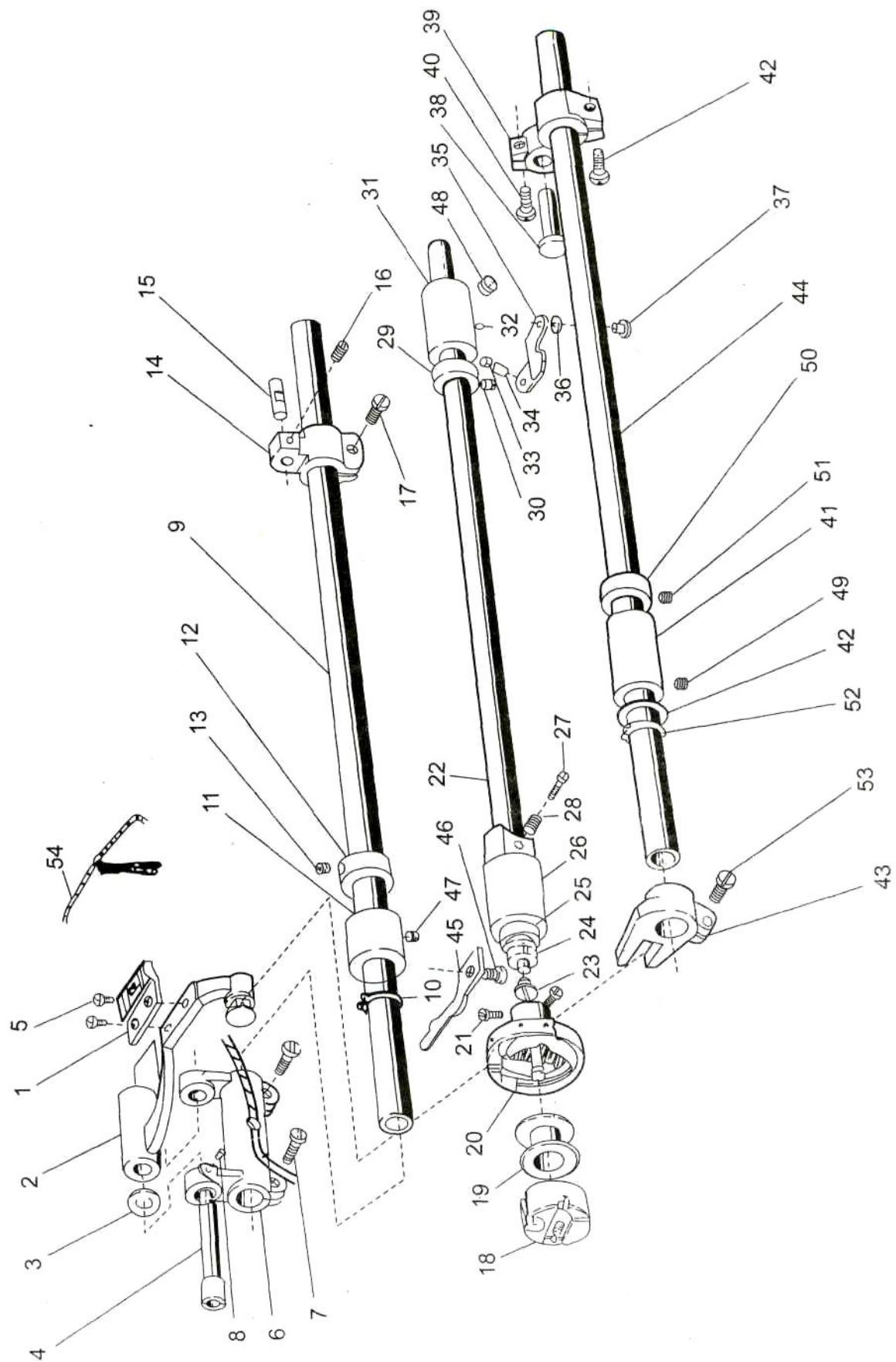
1. Machine Arm And Bed

No.	Part number	Name	Qt	Remark
1	6WF4-001	Arm	1	
2	4WF1-001	Bed	1	
3	6WF1-002	Trade Mark	1	
4		Rivet	2	
5	35T4-402a	Face Plate	1	
6	22T1-003C2	Gasket For Face Plate	1	
7	22T1-003C3	Rubber Plug (Φ 19)	3	
8	22T1-003C4	Rubber Plug	1	
		Rubber Plug	1	
9	22T1-003C5	Thread Finger	1	
10	22T1-003C6	Screw	3	
11	22T1-004	Screw	2	
12	22T1-004H	Oil Screen Complete	1	
13	36T2-004	Tree-eye Finger	1	
14	36T2-005	Screw	1	
15	36T2-006D	Thread Tension Complete	1	
16	36T2-006D1	Thread Pass-by Plate	1	
17	36T2-006D2	Screw	1	
18	22T1-009E3	Tension Disc	1	
19	36T2-006D3	Spring	1	
20	36T2-006D4	Nut	1	
21	22T1-011	Set Screw	1	
22	22T1-012F	Thread Tension Complete	1	
23	22T1-012F1	Screw	1	
24	22T1-012F2	Nut	1	
25	22T1-012F3	Spring	1	
26	22T1-012F4	Thread Releasing Plate	1	
27	22T1-012F5	Thread Tension Disc	1	
28	22T1-012F6	Thread Take-up Spring	2	
29	22T1-012F7	Thread Tension Adjusting Bracket	1	
30	22T1-012F8	Screw	1	
31	22T1-012F9	Thread Releasing Pin	1	
32	22T1-012F10	Stopping plate	1	
33	22T1-012F11	O-type Ring	1	
34	22T1-013	Set Screw	1	
35	22T1-014	Thread Finger	1	
36	22T1-015	Rubber Plug(<f>8.8)	2	
37	22T1-016	Rubber Plug(Φ2.7)	2	
38	22T1-017	Rubber Plug(Φ5.7)	1	
39	33T4-007	Thread Take-up Lever Guard	2	
40	22T2-004	Screw	1	
41	4WF-006	Throat Plate	1	
42	22T2-020	Screw	1	
43	61-04-01/B7/Z1	Sliding Plate Complete	2	
44	61-04-01/B7/Z102	Spring	1	
45	61-04-01/B7/Z103	Screw	1	
46	22T1-021G1	Sliding Plate	2	
47	4WF4-007	Bed Leg	1	
48		Washer	3	
49	5WF3-002A	Buck Side Cover Complete	3	
50	22T1-005D2	Seal Gasket	1	
51	22T1-006	Screw	1	
52	22T1-007	Washer	7	
53	35T4-405	Thread Finger	7	
			1	



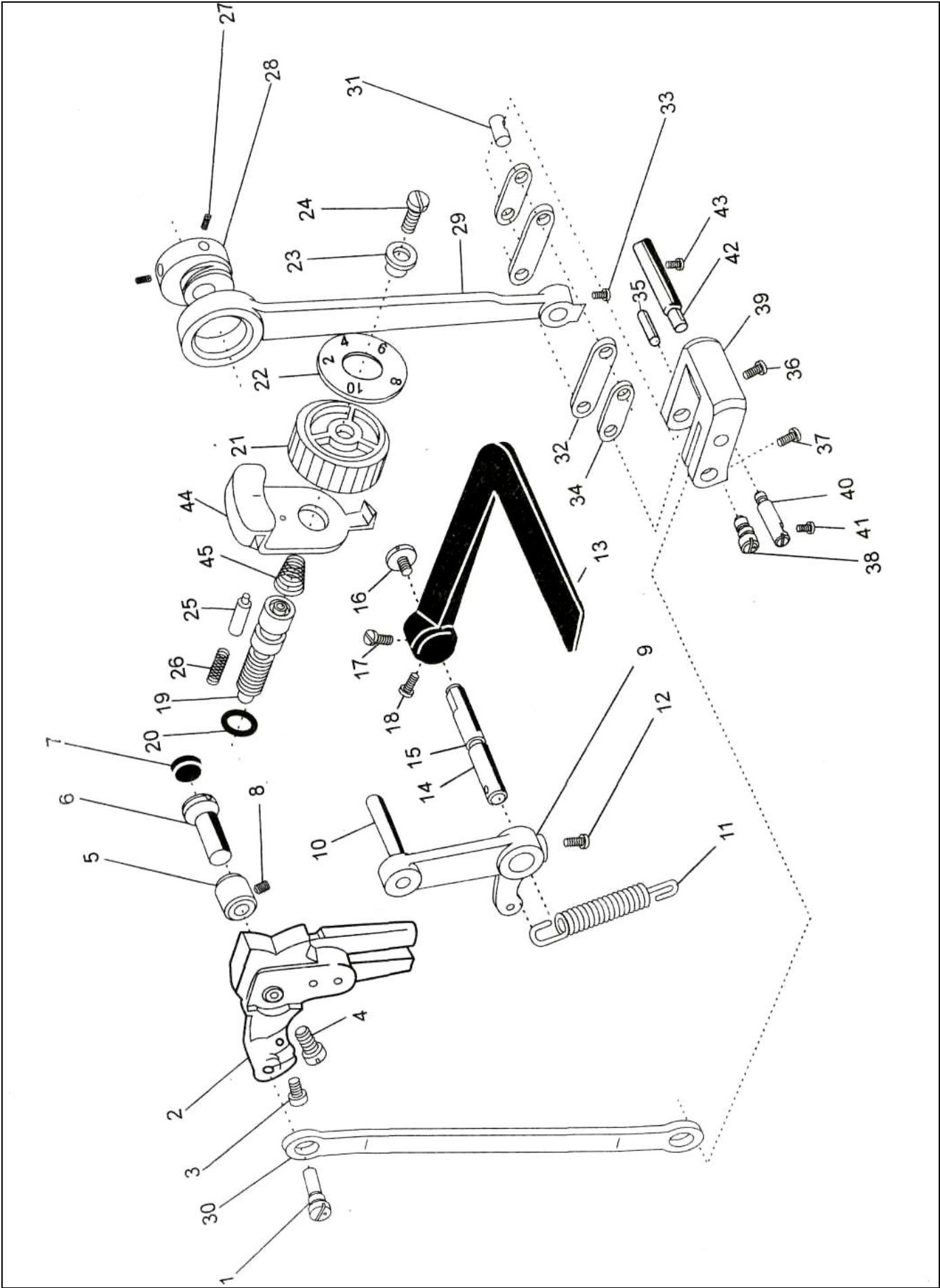
2. Arm And Vertical Shafts, Needle ber Threed Take-up Parts

No.	Part number	Name	Qt.	Remark
1	4WF1-001A	Arm Shaft	1	
2	22T3-001A2	Rubber Plug $\Phi 7.4-10$	2	
3	22T3-002B1	Collar	1	
4	22T3-002B2	Screw	2	
5	33T1-007D1	Front Bushing	1	
6	4 WF1-002	Middle Bushing	1	
7	J0.0.40	Screw	3	
8	22T3-005	Rear Bushing	1	
9	22T3-006F	Oil Seal Complete	1	
10	22T3-007C1	Balance Wheel	1	
11	22T3-007C2	Screw	2	
12	36T3-003D1	Feed Dog Lift Cam	1	
13	36T3-003D2	Screw	3	
14	36T3-004	Seperating Piece For Cam	1	
15	22T3-09D1C	Link	1	
16	22T3-010E1	Vertical Shaft	1	
17	22T3-010E2a1-2	Bever Gear	1	
18	22T3-010E2a2-2	Vertical Shaft Bevel Gear (upper)	1	
19	22T2-005B3	Screw	8	
20	22T3-010E2b12	Rock Shaft Bever Gear	1	
21	22T3-010E2b2-2	Vertical Shaft Bevel Gear (lower)	1	
22	4WF1-003A	Vertical Shaft Bushing (upper) Complete	1	
23	33T1-023P	Vertical Shaft Bushing (lower) Complete	1	
24	33T1-023A	Tread Take Lever Complete	1	
25	J0.0.40	Screw	1	
26	33T1-002	Hinge Pin	1	
27	33T1-006C1	Needle Bar Crank	1	
28	33T1-006C3	Screw	1	
29	22T2-005B3	Set Screw	1	
30	33T1-006C2	Screw	1	
31	61-04-01/B2	Set Screw	1	
32	33T1-001	Thread Take-up Crank	1	
33	22T2-001A6	Screw	1	
34	130032	Needle Bar Adaptor	1	
35	33T1-017	Needle Bar	1	
36	22T2-015	Thread Finger	1	
37	22T2-016	Needle	1	
38	22T2-017	Screw	1	



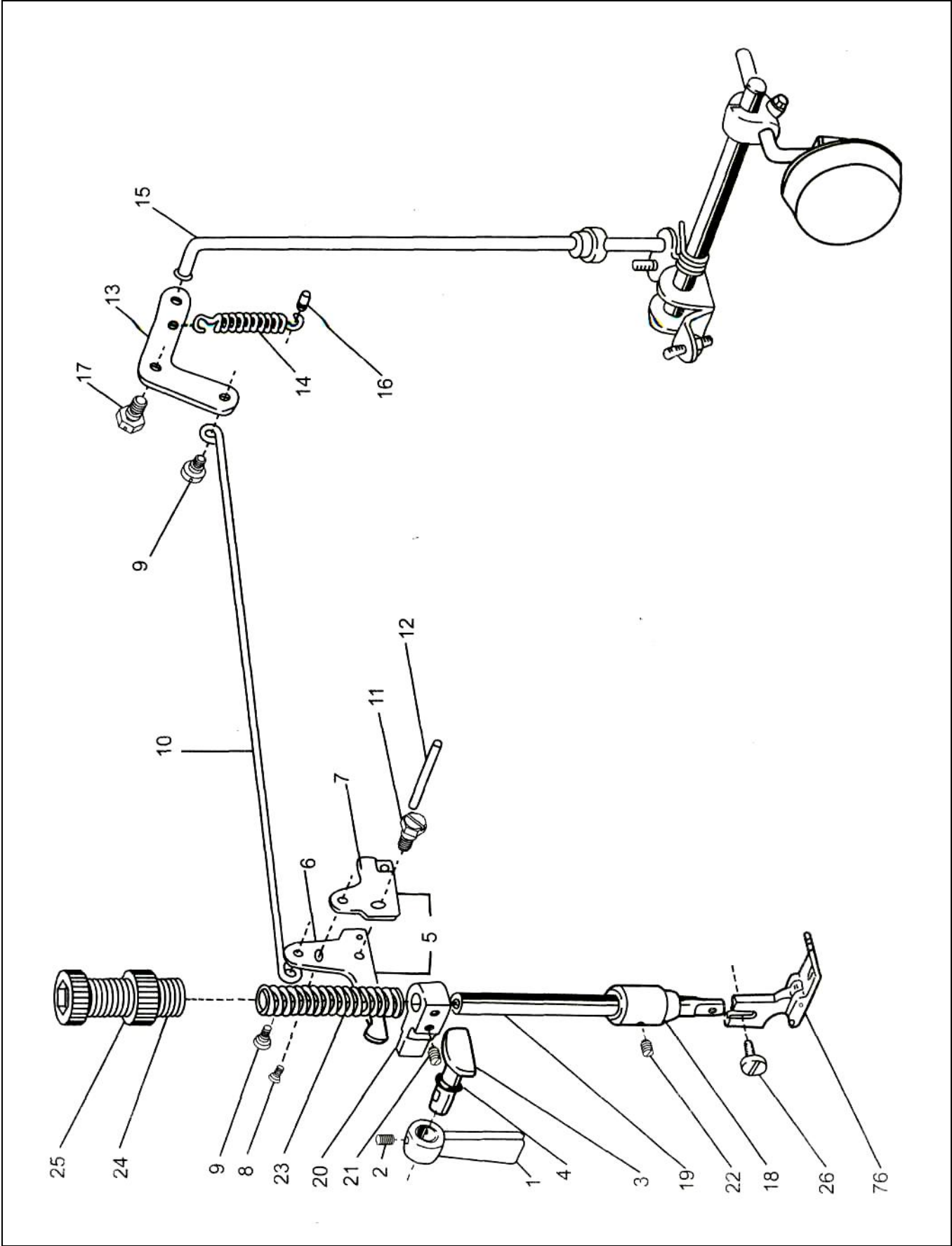
3. Feed Dog Lift And Feed And Thread Looping

No.	Part number	Name	Qt.	Remark
1	35T2-201	Feed Dog	1	
2	36T4-001A1a	Feed Dog Support Complete	1	
3	51T5-001 A1b	Washer	1	
4	36T4-001A2	Eccentric Shaft	1	
5	J0.051	Screw	2	
6	4WF2-002	Feed Dog Support Crank	1	
7	J0.0.71	Screw	2	
8	22T2-019	Screw	1	
9	36T4-002	Feed Shaft	1	
10		Stop Ring	1	
11	22T6-004	Bushing	1	
12	22T6-005B1	Collar	1	
13	22T3-002B2	Screw	2	
14	4WF2-006	Feed Shaft Rear Crank	1	
15	36T5-004H01	Link Pin	1	
16	36T5-008E5	Screw	1	
17	22T6-08D3	Tension Screw	1	
18	33T1-028R	Bobbin Case Complete	1	
19	33T1-028R	Bobbin	1	
20	33T1-027	Hook Complete	1	
21	33T1-018J	Hook Screw	3	
22	33T1-018J3	Rock Shaft	1	
23	36T4-008D1	Screw	1	
24	22T4-001A1a1	Plug	1	
25	22T4-001A1a2	Oil Seal	1	
26	22T4-003	Front Bushing	1	
27	4WF1-05	Screw	1	
28	22T4-005	Spring	1	
29	22T4-006	Collar	1	
30	22T4-002B1	Screw	2	
31	J0.0.35	Rear Bushing	1	
32	4WF1-004	Oil Tube	1	
33	22T4-007C2	Plunge	1	
34	36T4-015	Spring	1	
35	36T4-016	Stopper	1	
36	36T4-010	Washer	1	
37		Screw	1	
38	22T8-009	Hinge Pin	1	
39	22T6-007	Feed Dog Lift Near Crank	1	
40	4WF2-003	Screw	2	
41	J0.0.71	Feed Dog Lift Shaft Front Bushing	1	
42	22T6-012	Washer	1	
43	22T6-013	Feed Dog Lift Fork	1	
44	36T4-018H101	Feed Dog Lift Shaft	1	
45	36T4-018H2	Hook Set Bracket	1	
46	36T1-029	Screw	1	
47	22T4-015	Screw	1	
48	J0.0.35	Screw	1	
49	22T1-013	Screw	1	
50	J0.0.40	Collar	1	
51	22T6-005B1	Screw	1	
52	22T3-002B2	Stop Ring	1	
53		Screw	1	
54	22T6-008D4	Oil Wick	1	



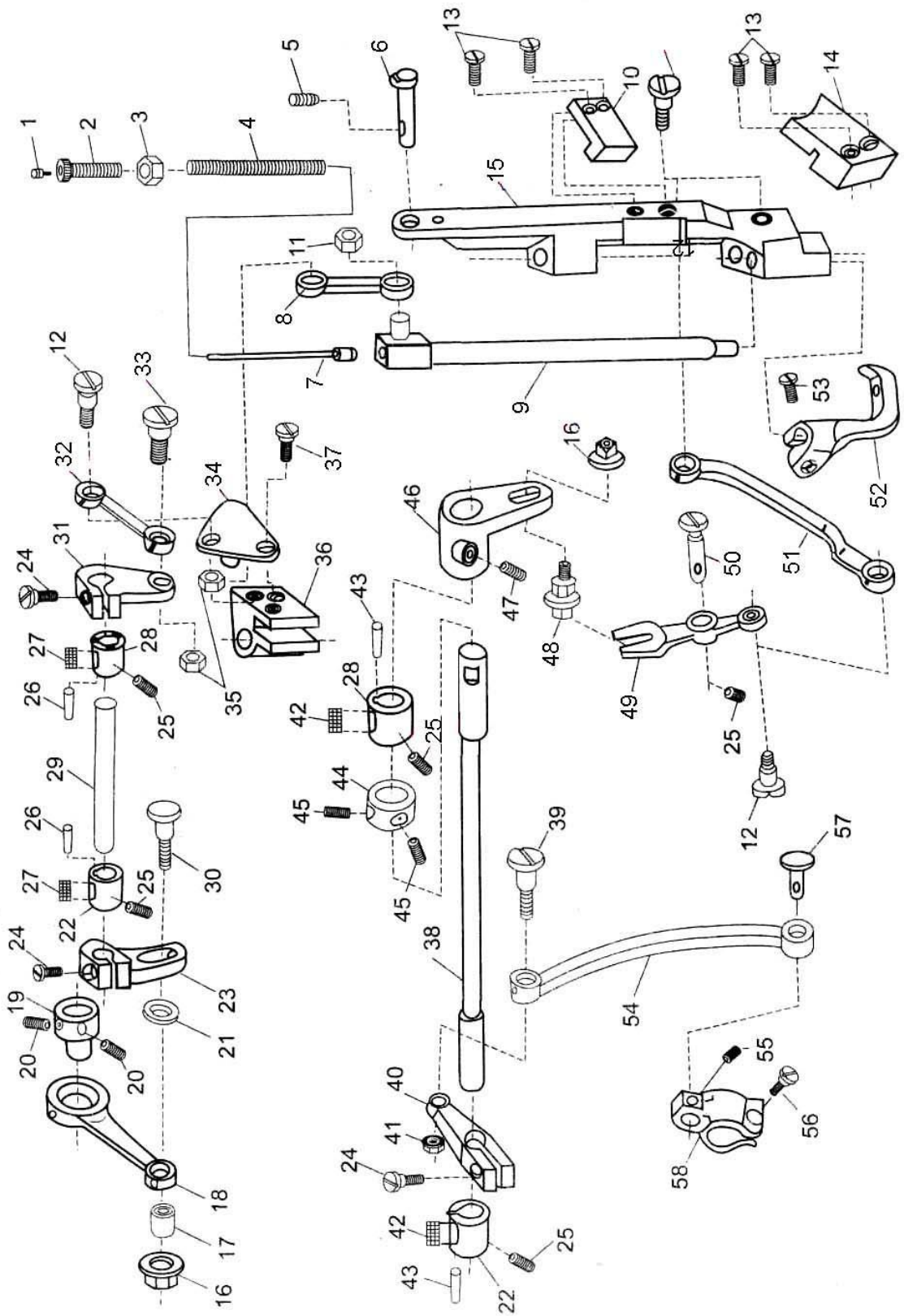
4. Feed Mechanism

No.	Part number	Name	Qt.	Remark
1	36T5-001	Link Pin	1	
2	4WF2-005	Stitch Length Bracket	1	
3	22T6-008D3	Screw	1	
4	22T5-010D4	Screw	1	
5	5WF1-003	Bushing	1	
6	22T5-004	Shaft For Stitch Length Bracket	1	
7	36T5-003	Rubber Plug	1	
8	J0.0.40	Set Screw	1	
9	36T5-004B1	Reverse Feed Lever Crank	1	
10	22T5-012E10	Shaft For Block	1	
11	22T5-012E2	Spring	1	
12	22T5-013	Screw	1	
13	4WF2-007A	Reverse Feed Lever	1	
14	22T5-010D2a	Pin Shaft	1	
15	22T2-010D2b	O-type Ring	1	
16	22T-010D3	Tension Screw	1	
17	17T5-016	Set Screw	1	
18	17T5-017	Screw	1	
19	36T5-007D1	Screw Bolt For Stitch Length	1	
20	22T5-006C4	O-type Rubber Ring	1	
21	36T5-007D2	Dial Cup	1	
22	4WF2-004A	Dial Face	1	
23	36T5-007D4	Screw Bushing	1	
24	36T5-007D5	Screw	1	
25	36T5-012	Stop Pin	1	
26	22T5-009	SD Pring	3	
27	36T3-003D2	Screw	1	
28	36T5-008E1	Feed Cam	1	
29	4WF2-009A	Feed Link	1	
30	4WF2-009B	Stitch Adjusting Link	1	
31	36T4-004H02	Pin	2	
32	36T5-008E4H02	Link	1	
33	36T5-008E5	Screw	2	
34	36T5-008E4H01	Link	1	
35	36T5-008E6	Pin For Link	1	
36	36T5-008E7	Screw	1	
37	36T5-008E8	Screw	1	
38	36T5-008E9	Link Eccentric Shaft	1	
39	36T5-008E10	Stitch Length Adjusting Crank	1	
40	5WF1-002	Set Pin (left)	1	
41	22T6-008D3	Screw	1	
42	5WF1-001	Set Pin (right)	1	
43	22T5-008D3	Screw	1	
44	36T5-010	Push Lever	1	
45	36T5-011	Spring	1	



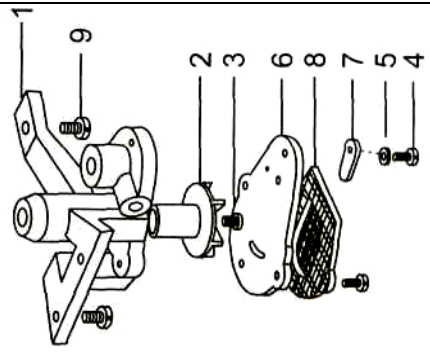
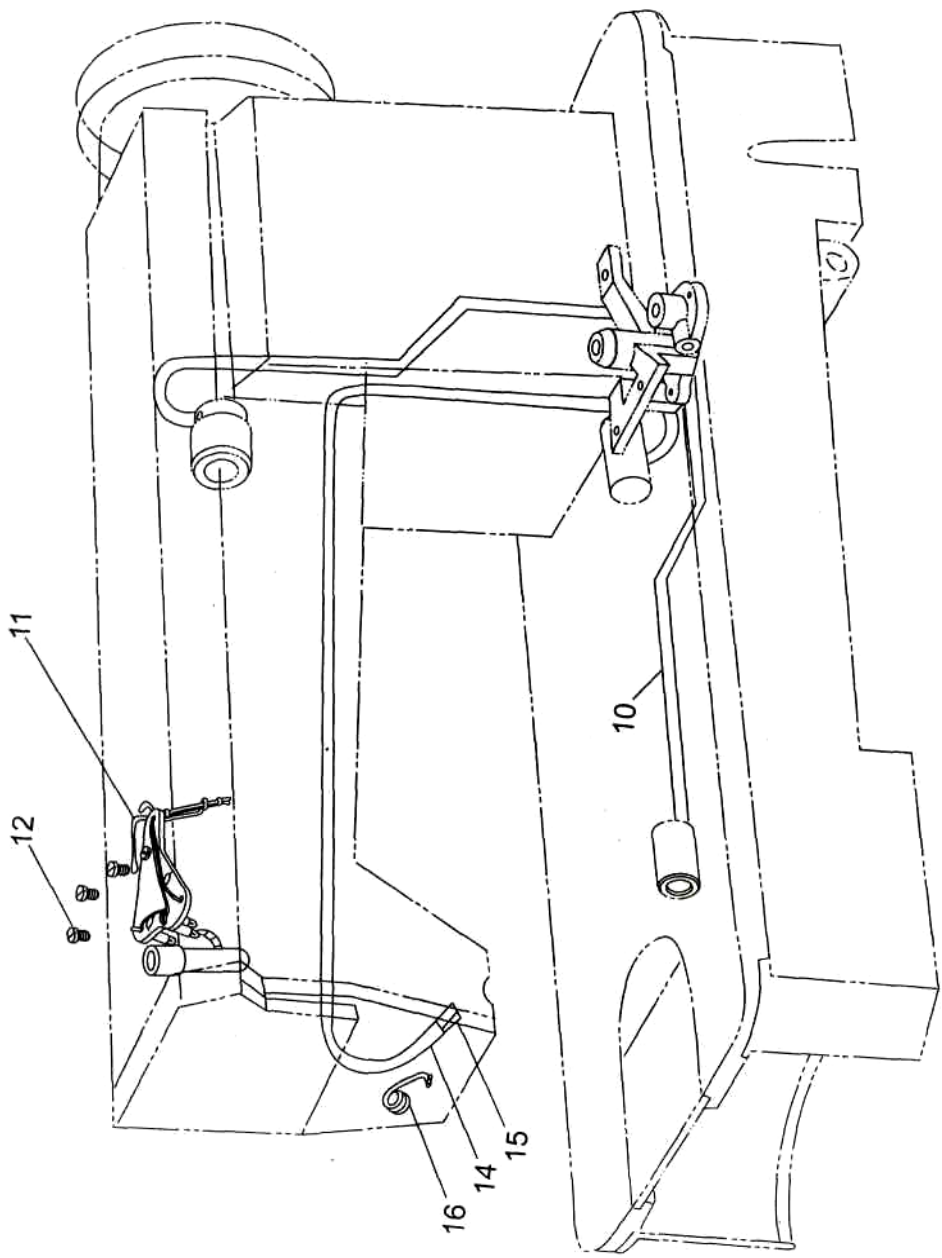
5. Presser Foot

No.	Part number	Name	Qt.	Remark
1	33T3-003	Presser Foot Lift Bar	1	
2	22T7-001A2	Screw	1	
3	4WF3-001	Presser Bar Lever Cam	1	
4		Oil Seal	1	
5	22T7-004B1	Knee Lifter Lever (left) Complete	1	
6	22T7-004B1a	Lever (left)	1	
7	22T7-004B1b	Thread Releasing Cam	1	
8	22T7-004B1C	Screw	1	
9	22T7-004B2	Screw Knee Lifter	2	
10	22T7-004B3	Drawing Bar	1	
11	22T7-005A	Screw	2	
12	22T7-006	Tread Releasing Lever	1	
13	22T7-007C1	Knee Lifter Lever (right)	1	
14	22T7-007C2	Spring	1	
15	4WF3-001	Connecting Rod	1	
16	22T7-008	Pin	1	
17	22T7-005B	Screw	1	
18	35T3-303	Bushing For Presser Bar	1	
19	35T3-302	Presser Bar	1	
20	35T3-301	Presser Block For Presser Bar	1	
21	J0.0.40	Screw	2	
22	22T2-013	Screw	1	
23	34T3-302	Spring	1	
24	34T3-301	Screw	1	
25	22T7-014E2	Nut	1	
26	22T7-015	Screw	1	
27	35T3-304	Presser Foot	1	



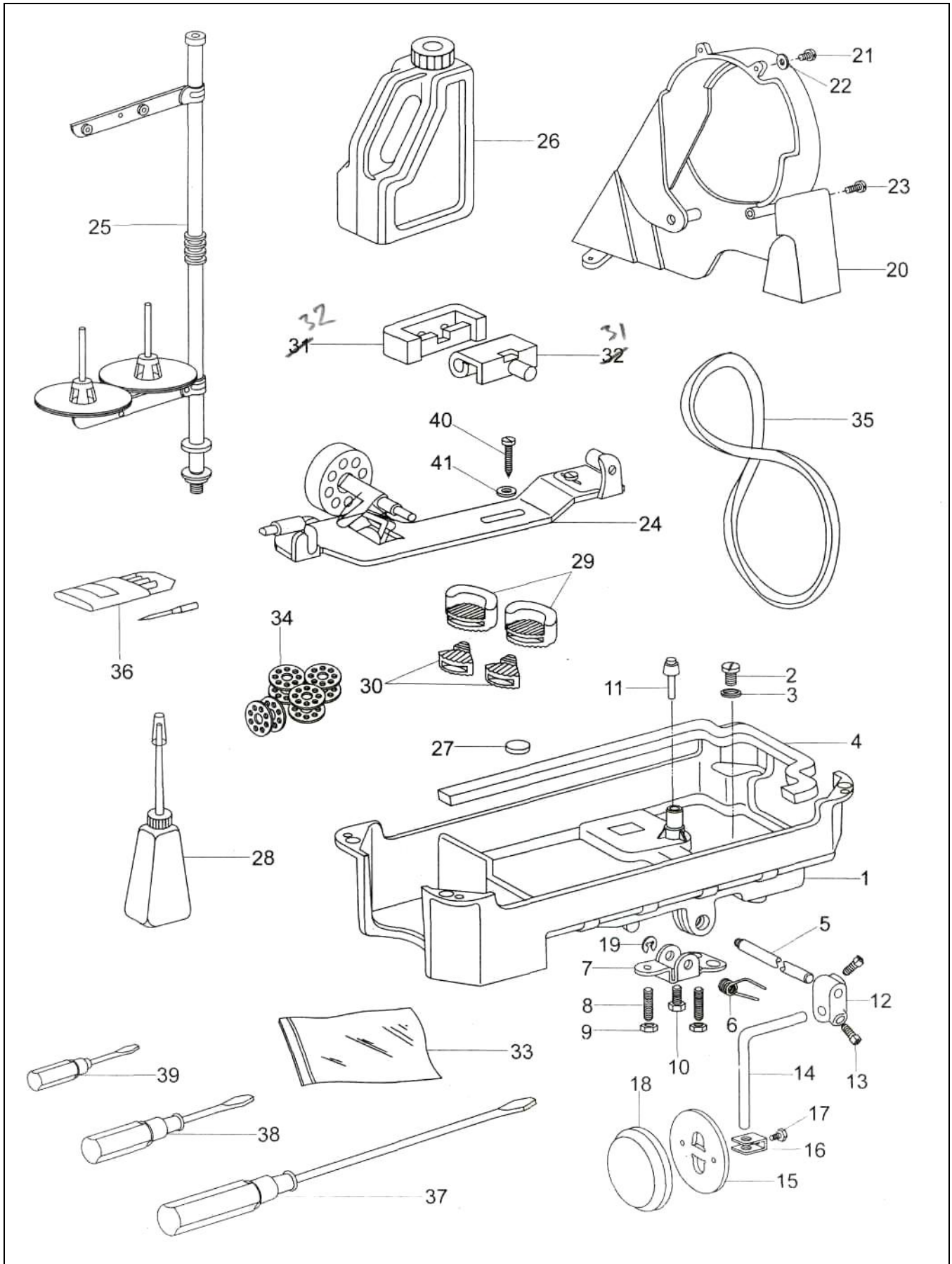
6. Upper Feed Parts

No.	Part number	Name	Qt.	Remark
1	34T5-501	Oil Felt	1	
2	35T5-503	Screw	1	
3	34T5-503	Nut	1	
4	35T5-501	Spring	1	
5	J0.0.40	Screw	1	
6	35TS-504	Shaft For Needle Bar Motion Bracket	1	
7	35T5-505	Reel For Spring	1	
8	35T5-507	Link	1	
9	35T5-508	Adaptor	1	
10	6WF5-002	Slot For Sliding Block	1	
11	33T1-013	Sliding Block	1	
12	34T5-507	Screw	3	
13	22T2-019	Screw	4	
14	35T5-511	Guide Rail	1	
15	6WF5-001	Needle Bar Motion Bracket	1	
16	34T5-518	Nut	2	
17	34T5-519	Washer	1	
18	34T5-520	Link For Eccentric	1	
19	34T5-516	Presser Foot Lift Eccentric	1	
20	01/B602	Screw	2	
21	34T5-521	Washer	1	
22	34T5-538a	Rear Bushing	2	
23	34T5-517	Rear Crank	1	
24	34T5-540	Screw	3	
25	J0.0.35	Screw	5	
26	34T5-536c	Cotton Rope	2	
27	34T5-536b	Oil Felt	2	
18	34T5-536a	Front Bushing	2	
19	34T5-537	Shaft	1	
30	34T5-522	Screw	1	
31	34T5-535	Front Crank	1	
32	34T5-534	Link	1	
33	34T5-513b	Screw	1	
34	34T5-506	Plate For Presser Foot Lift	1	
35	34T5-506	Nut	2	
36	35T3-301	Set Block	1	
37	34T5-527	Screw	1	
38	34T5-539	Needle Bar Motion Shaft	1	
39	17T4-002	Screw	1	
40	34T5-523	Rear Crank	1	
41	61-04-01/B06	Nut	1	
42	34T5-538b	Oil Felt	2	
43	34T5-538c	Cotton Rope	2	
44	34T5-532	Collar	1	
45	22T3-002B2	Screw	2	
46	34T5-533	Front Crank	1	
47	34T5-541	Screw	1	
48	34T5-531	Sliding Block Complete	1	
49	34T5-529	Fork Lever	1	
50	34T5-530	Pin	1	
51	35T5-512	Link	1	
52	35T5-502	Follow Presser Foot	1	
53	22T2-004	Screw	1	
54	5WF4-003	Link	1	
55	36T5-008E3	Screw	1	
56	J0.0.71	Strew	1	
57	5WF4-001	Connecting Pin	1	
58	5WF4-004	Feed Shaft Crank	1	



7. Oil Pump

No.	Part number	Name	Qt.	Remark
1	22T8-001	Oil Pump	1	
2	22T8-002	Screw	1	
3	22T8-003	Screw	1	
4	22T8-004	Screw	3	
5		Washer	1	
6	22T8-006	Cover For Oil Pump	1	
7	22T8-007	Adjusting Plate For Oil Pump	1	
8	22T8-008A	Filter Complete	1	
9	22T8-009	Screw	1	
10	22T8-010B	Oil Pipe	1	
11	22T8-11C	Oil Wick Set Plate Complete	1	
12	22T8-012	Screw	2	
13	22T8-013D	Oil Pipe	1	
14	22T8-014	Oil Return Pipe	1	
15	22T8-015	Oil Felt	1	
16	22T8-016	Pipe Clamp	1	



8. Oil Reservoir And Accessories

No.	Part number	Name	Qt.	Remark
1	4WF5-001	Oil Reservoir	1	
2	22T9-001A2	Screw	2	
3	22T9-001A3	Washer	2	
4	2KT9-008	Gasket	1	
5	22T9-001A6	Hinge Pin	1	
6	22T9-001A7	Spring	1	
7	22T9-001A8	Knee Lifter Stop Bracket	1	
8	22T9-001A9	Screw	2	
9	22T9-001A10	Nut	2	
10	22T3-007C2	Screw	1	
11	22T9-003B1	Knee Lifter Prop Bar	1	
12	22T9-003B3	Connector	1	
13	22T9-003B4	Screw	2	
14	22T9-003B2	Bent Rod	1	
15	22T9-003B5	Bell	1	
16	22T9-003B6	Bell Bracket	1	
17	22T9-003B7	Screw	1	
18	22T9-003B8	Pat	1	
19		Split Stop Ring	1	
20	33TF-021	Belt Guard Complete	1	
21		Screw	2	
22		Washer	2	
23		Screw	2	
24	S14420020	Thread Winder Complete	1	
25	GJX-2	Spool Stand Complete	1	
26	22T9-017	Oil Tank	1	
27	22T9-013	Magnet	1	
28	22T9-012	Oil Pot	1	
29	22T9-009	CUSHION	2	
30	22T9-010	CUSHION	2	
31	33T1-002	Hinge	2	
32	22T9-007F2	Rubber Coat	2	
33		Parts Bag	1	
34	33T1-027	Bobbin	5	
35		V-type Belt	1	
36		Needle	1 Pack	
37	33TF-013	Screwdriver (big)	1	
38	33TF-014	Screwdriver	1	
39	33TF-015	Screwdriver (small)	1	
40		Wood Screw	4	
41		Washer	2	